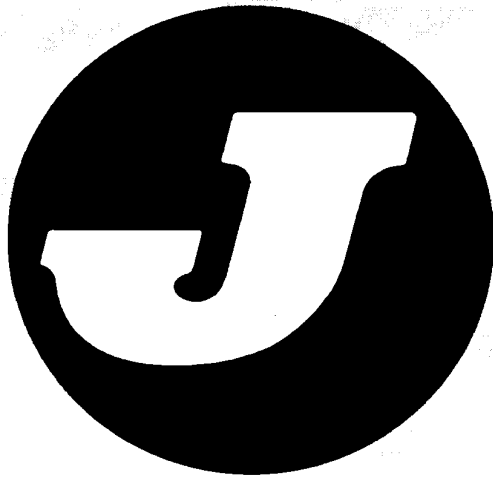


---

\$35.00

**HIP40**

**OPERATIONS, MAINTENANCE,  
AND PARTS MANUAL**



**JERR-DAN<sup>®</sup>**  
**CORP.**

1080 Hykes Road  
Greencastle, PA 17225

Phone (717) 597-7111

J-KK

Part Number 5-376-000047  
Rev. 0

---

**SUBFRAME INSTALLATION**

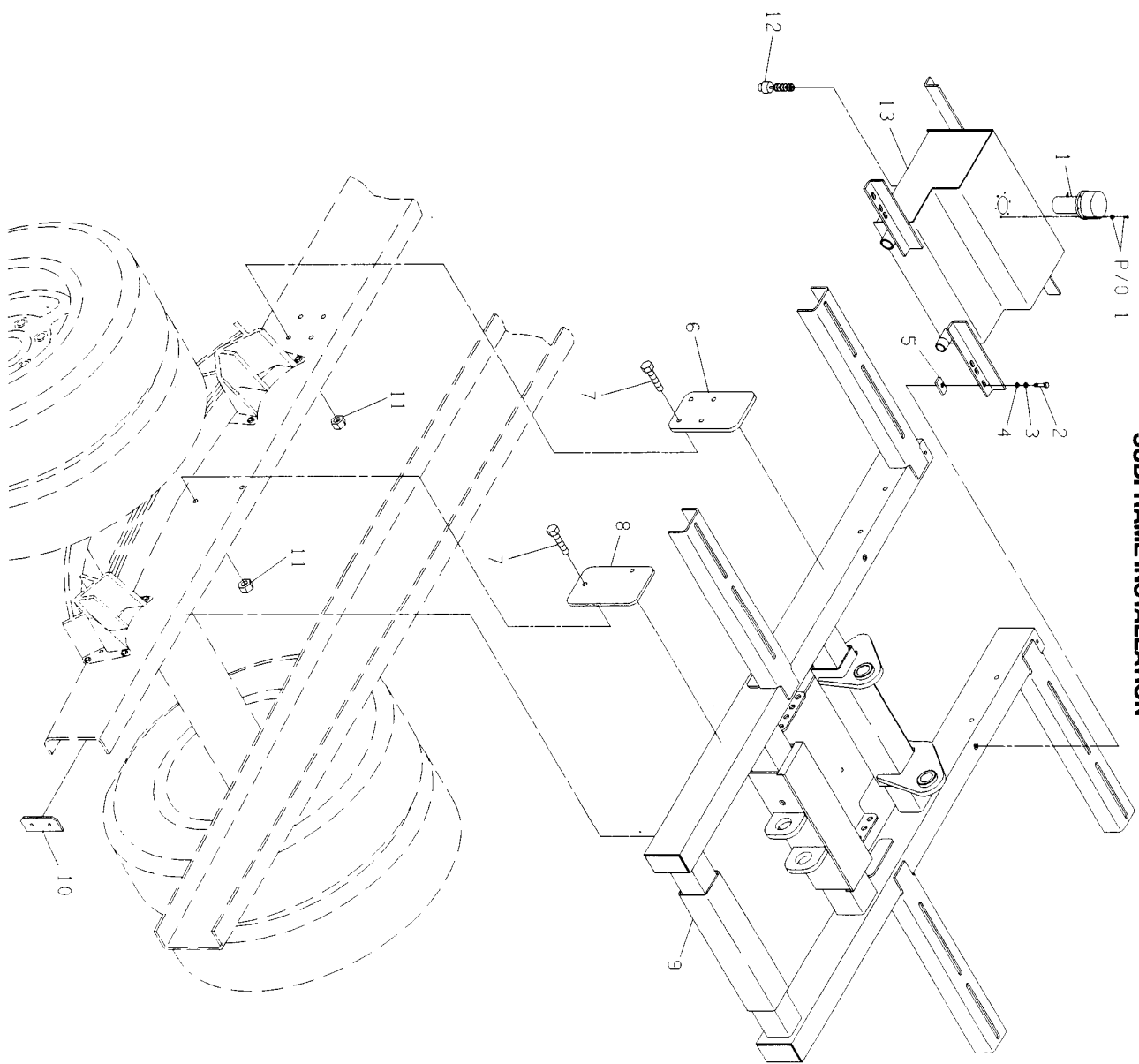
<b>Ref No.</b>	<b>Part No.</b>	<b>Description</b>	<b>Qty.</b>
1	3470000001	Breather Cap	1
2	7115161250	Capscrew	4
3	7950160000	Lockwasher	4
4	7950160151	Flat Washer	4
5	4831000075	Spacer	4
6	4706002324	Plate	2
7	7118181216	Capscrew	16
8	4706002509	Plate	2
9	3868000171	Subframe Assembly	1
10	4706002317	Plate	2
11	7660182301	Locknut	16
12	7701000026	Plug	1
13	3750000025	Hydraulic Tank	1

Rev. \_\_\_\_\_

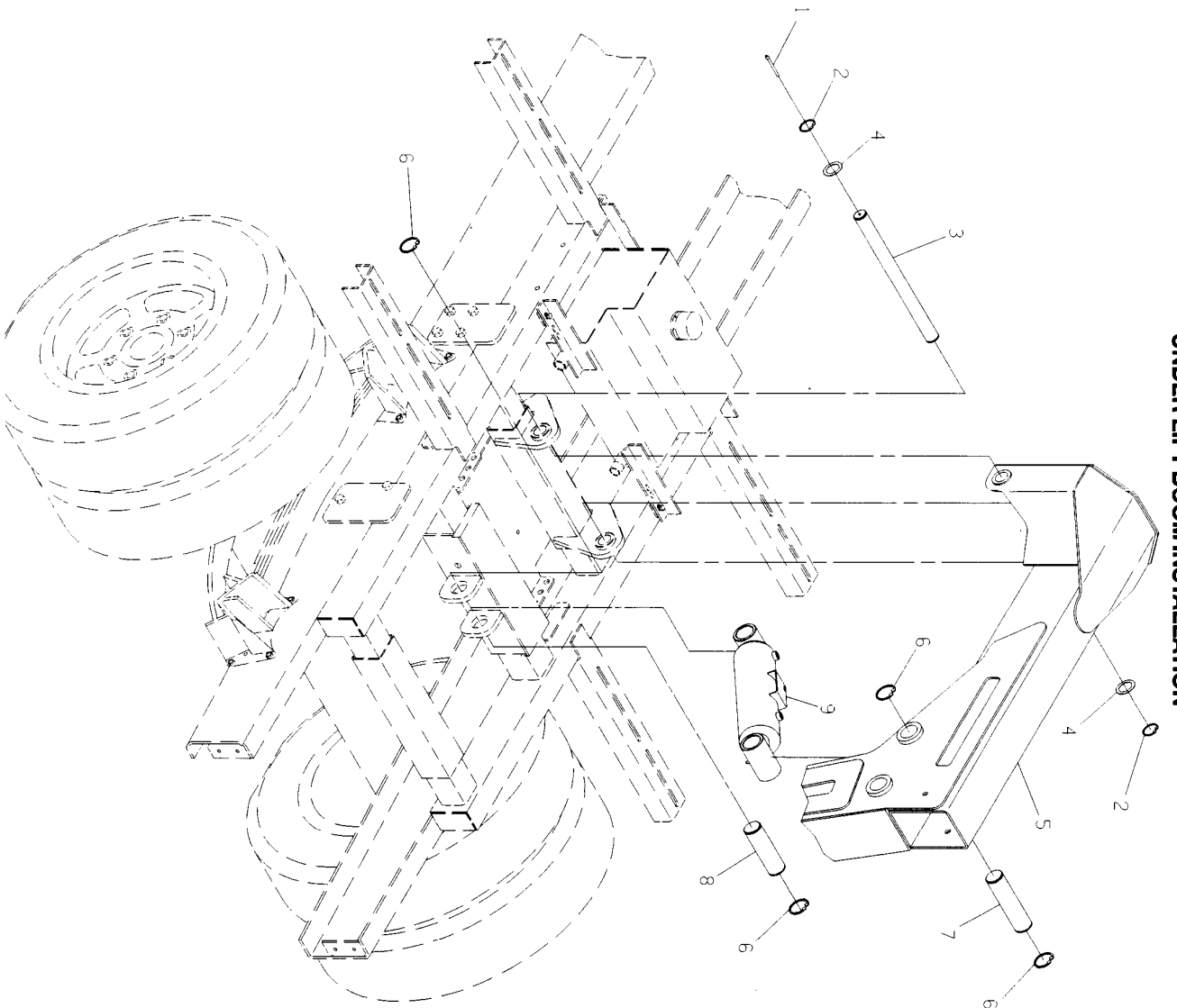
4.2

Date \_\_\_\_\_

**SUBFRAME INSTALLATION**



# UNDER LIFT BOOM INSTALLATION



---

**UNDER LIFT BOOM INSTALLATION**

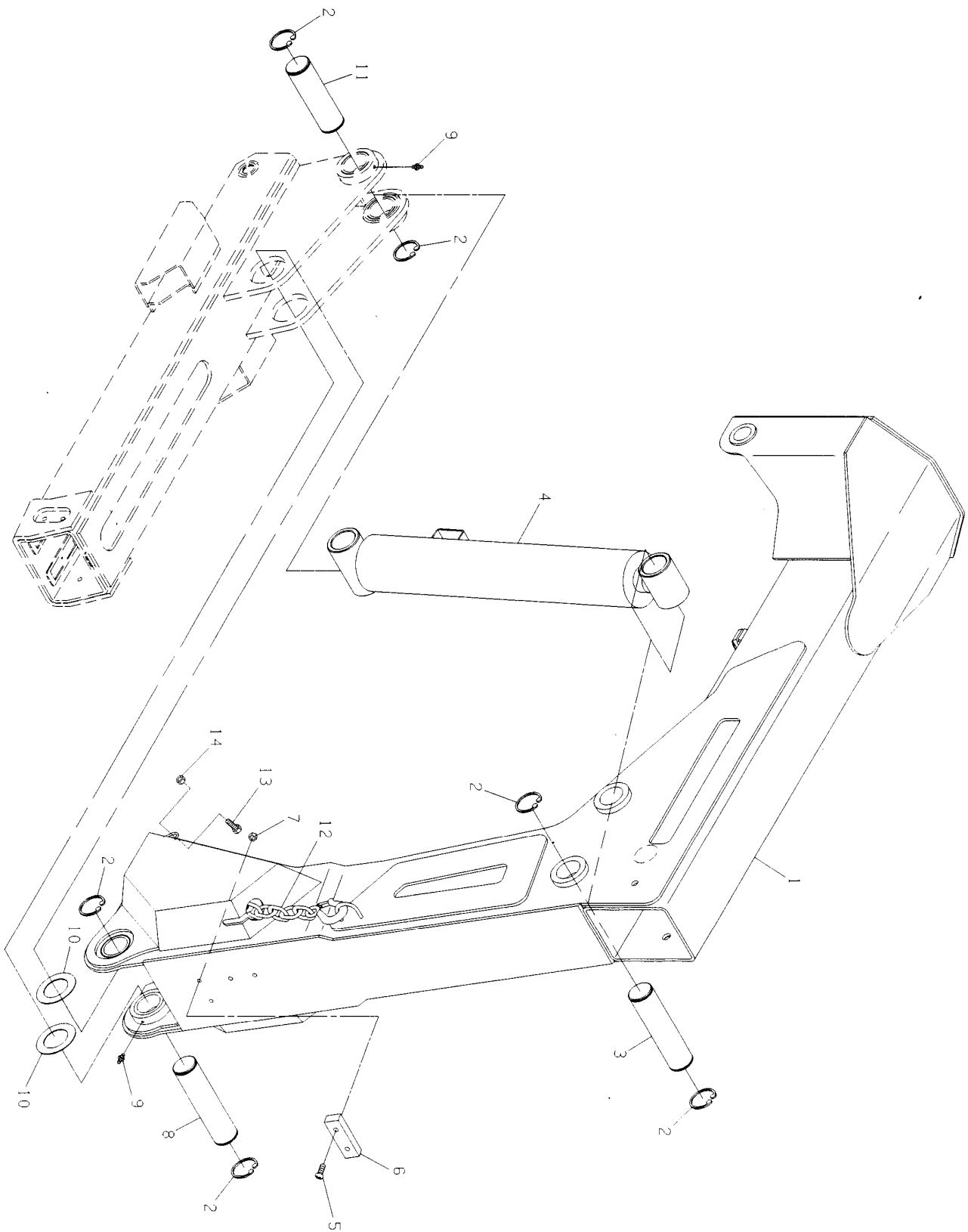
<b>Ref No.</b>	<b>Part No.</b>	<b>Description</b>	<b>Qty.</b>
1	7440030000	Grease Fitting	2
2	7754000033	Retaining Ring	2
3	4691000300	Pin	1
4	4949000051	Washer	2
5	3170000147	Europac Boom Assembly	1
6	7754000048	Retaining Ring	4
7	4691000303	Pin	1
8	4691000309	Pin	1
9	3320000065	Lift Cylinder Assembly	1

Rev. \_\_\_\_\_

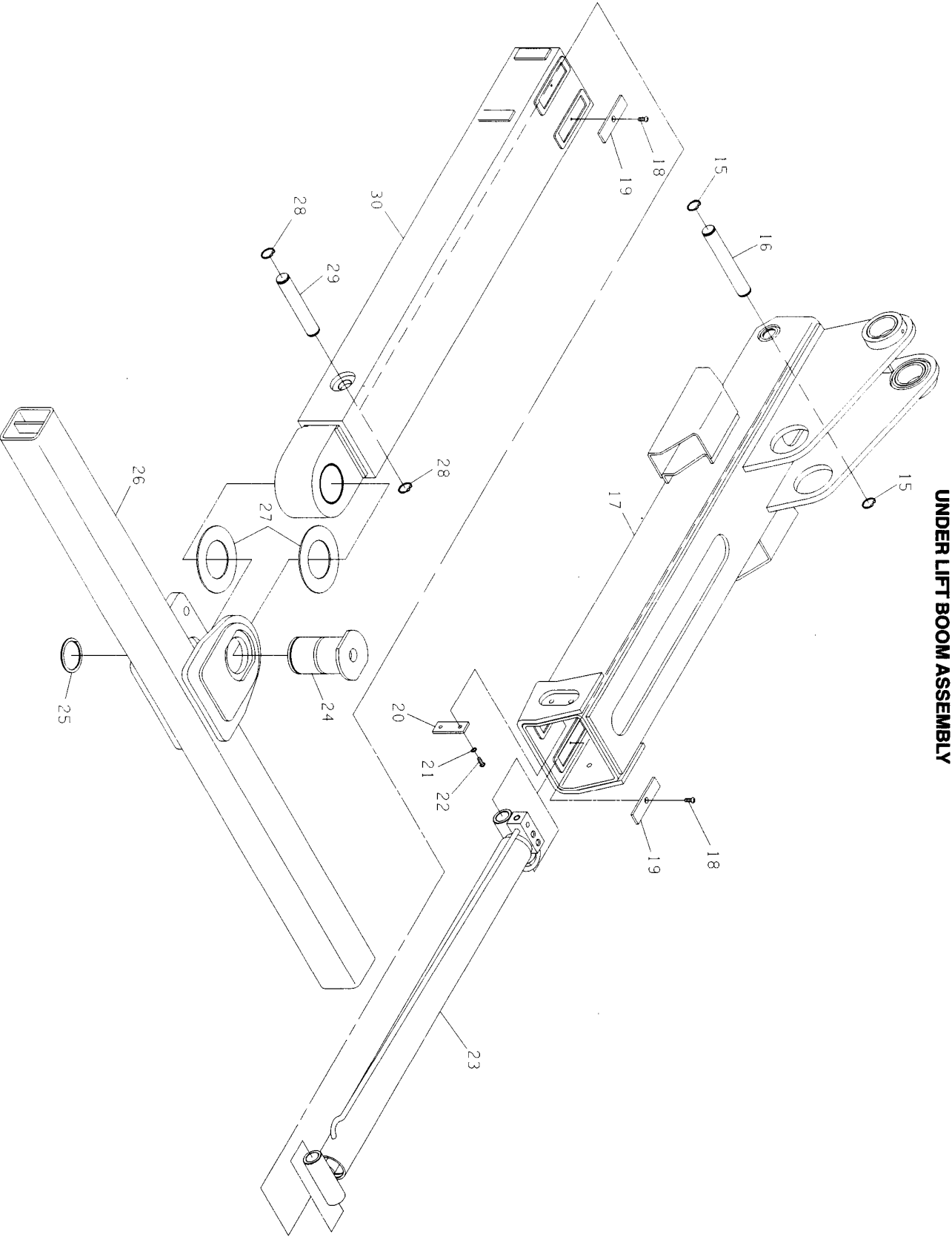
4.5

Date \_\_\_\_\_

**UNDER LIFT BOOM ASSEMBLY**



**UNDER LIFT BOOM ASSEMBLY**



4.8

Rev. \_\_\_\_\_  
Date \_\_\_\_\_

**UNDER LIFT BOOM ASSEMBLY**

<b>Ref. No.</b>	<b>Part No.</b>	<b>Description</b>	<b>Qty.</b>
1	3170000142	Boom Tower Weldment	1
2	7754000048	Retaining Ring	6
3	4691000303	Pin	1
4	3320000066	Tilt Cylinder Assembly	1
5	7114141018	Capscrew	2
6	7679000010	Pad	1
7	7660142600	Locknut	2
8	4691000310	Pin	1
9	7440030000	Grease Fitting	4
10	4949000050	Washer	2
11	4691000309	Pin	1
12	7262000020	Chain With Latch Hook Assembly	2
13	7115161050	Capscrew	2
14	7660162601	Locknut	2
15	7754000056	Snap Ring	2
16	4691000308	Pin	1
17	3170000145	Underlift Outer Tube Weldment	1
18	7115100323	Capscrew	5
19	4679000156	Pad	5
20	4831000071	Spacer	2
21	7950150000	Washer	4
22	7105150450	Capscrew	4
23	3320000067	Underlift Ext/Ret Cylinder Assembly	1
24	4691000103	Pin	1
25	7754000024	Retaining Ring	1
26	3913000058	Pivot Tube Weldment	1
27	4949000047	Washer	2
28	7754000019	Retaining Ring	2
29	4691000307	Pin	1
30	3170000143	Underlift Inner Tube Weldment	1

Rev. \_\_\_\_\_

Date \_\_\_\_\_

**WHEEL GRID INSTALLATION**

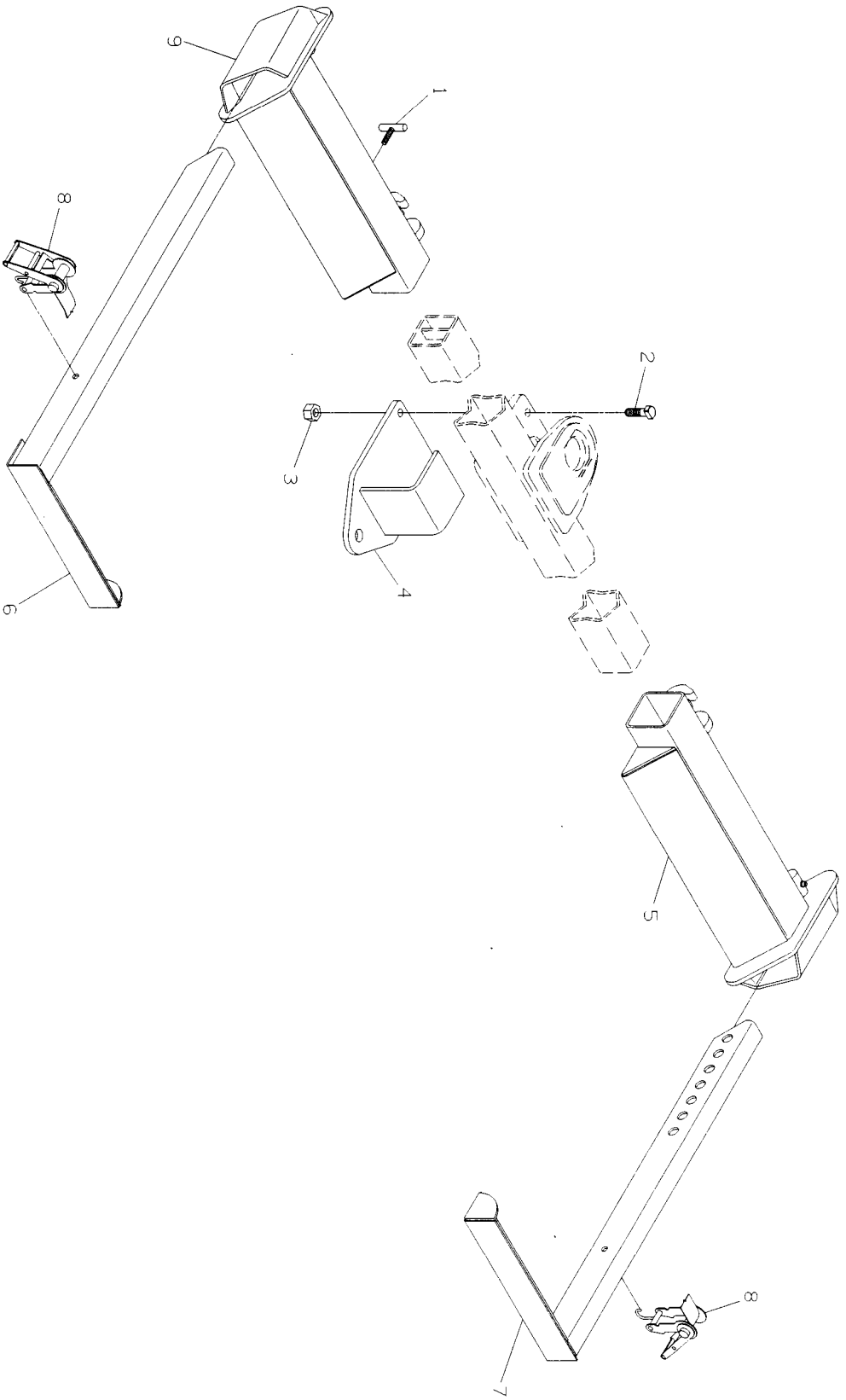
<b>Ref No.</b>	<b>Part No.</b>	<b>Description</b>	<b>Qty.</b>
1	3551000036	T-Handle Weldment	2
2	4120000013	Bolt	2
3	7660200008	Nut	2
4	3706000130	Ball Hitch Plate	1
5	3484000030	Grid Weldment, RH	1
6	3020000038	L-Arm Weldment, RH	1
7	3020000037	Arm Weldment, LH	1
8	7894000034	Light Tie Strap L-Arm	2
9	3484000031	Grid Weldment, LH	1

Rev. \_\_\_\_\_

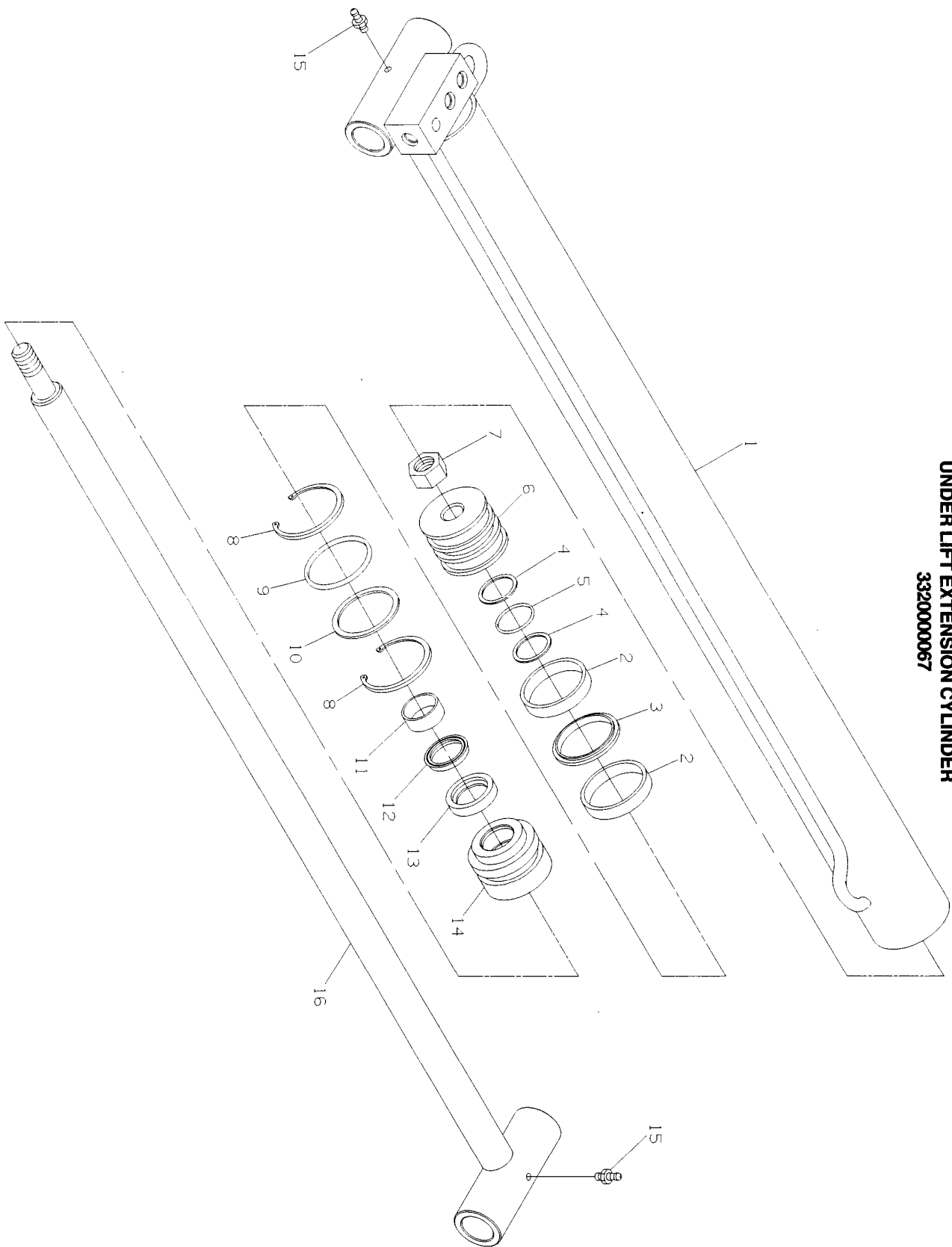
4.10

Date \_\_\_\_\_

# WHEEL GRID INSTALLATION



**UNDER LIFT EXTENSION CYLINDER**  
332000067



4.12

Rev. \_\_\_\_\_  
Date \_\_\_\_\_

**UNDER LIFT EXTENSION CYLINDER  
332000067**

<b>Ref. No.</b>	<b>Part No.</b>	<b>Description</b>	<b>Qty.</b>
1	3071000063	Underlift Cylinder Barrel	1
2	7796000030*	Wear Ring	2
3	7796000026*	Piston Seal	1
4	7755214609*	Backup Ring	2
5	7755214000*	O-Ring	1
6	4698000011	Piston	1
7	7660201631	Locknut	1
8	7754000001	Retaining Ring	2
9	7755327000*	O-Ring	1
10	7755327609*	Backup Ring	1
11	7754000036*	Wear Ring	1
12	7796000023*	Rod Seal	1
13	7796000005*	Rod Wiper Seal	1
14	4553000015	Head	1
15	7440030000	Grease Fitting	2
16	3763000084	Underlift Cylinder Rod	1

\* Available only in Service Kit 7577250041

Rev. \_\_\_\_\_

4.13

Date \_\_\_\_\_

**TILT CYLINDER  
332000066**

<b>Ref. No.</b>	<b>Part No.</b>	<b>Description</b>	<b>Qty.</b>
1	7440030000	Grease Fitting	2
2	3071000062	Tilt Cylinder Barrel	1
3	7660341631	Nut	1
4	4698000008	Piston	1
5	7755226609*	Backup Ring	2
6	7755226000*	O-Ring	1
7	7754000011*	Piston Wear Ring	2
8	7796000009*	Piston Seal	1
9	3763000083	Tilt Cylinder Rod	1
10	4553000009	Head	1
11	7754000013	Retaining Ring	1
12	7796000011*	Rod Wiper Seal	1
13	7755342609*	Backup Ring	1
14	7755342000*	O-Ring	1
15	7796000025*	Rod Seal	1
16	7754000012*	Piston Ring	1
17	7754000028	Retaining Ring	1

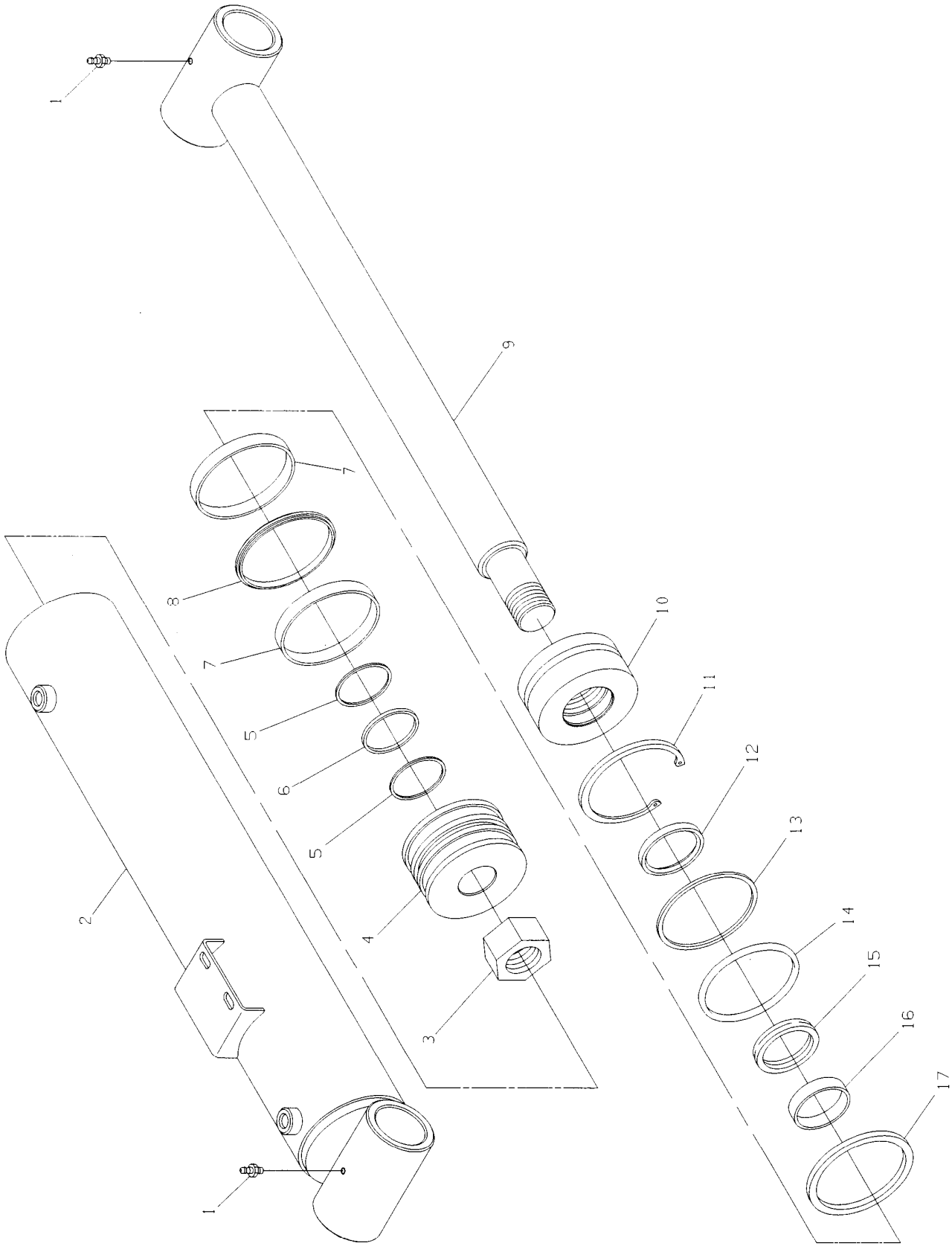
\* Available only in Service Kit 7577250026

Rev. \_\_\_\_\_

4.14

Date \_\_\_\_\_

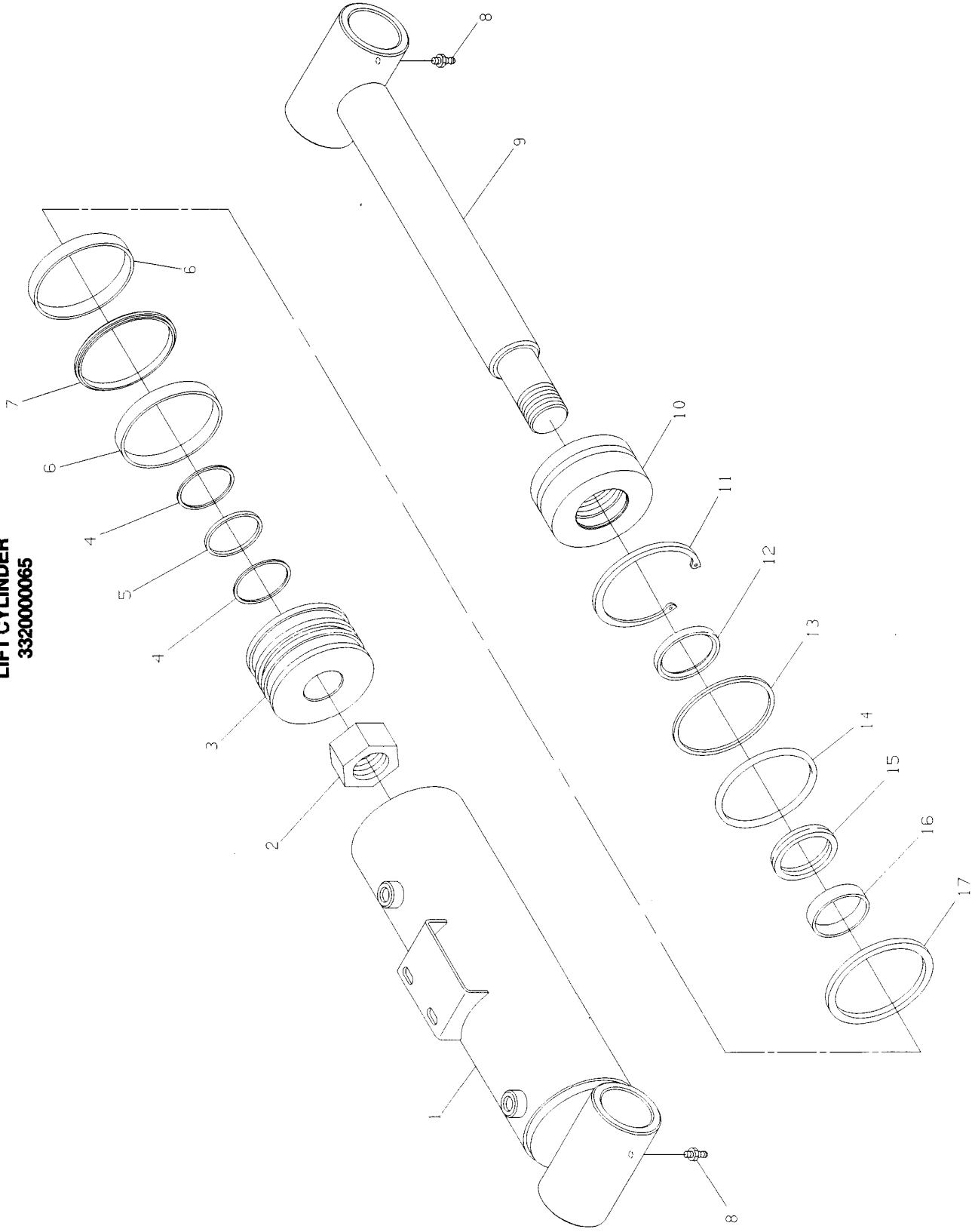
TILT CYLINDER 332000066



Rev. \_\_\_\_\_

Date \_\_\_\_\_

**LIFT CYLINDER**  
**3320000065**



Rev. \_\_\_\_\_

Date \_\_\_\_\_

**LIFT CYLINDER  
332000065**

<b>Ref. No.</b>	<b>Part No.</b>	<b>Description</b>	<b>Qty.</b>
1	3071000061	Lift Cylinder Barrel	1
2	7660341631	Nut	1
3	4698000008	Piston	1
4	7755226609*	Backup Ring	2
5	7755226000*	O-Ring	1
6	7754000011*	Wear Ring	2
7	7796000009*	Piston Seal	1
8	7440030000	Grease Fitting	2
9	3763000082	Lift Cylinder Rod	1
10	4553000009	Head	1
11	7754000013	Retaining Ring	1
12	7796000011*	Rod Wiper Seal	1
13	7755342609*	Backup Ring	1
14	7755342000*	O-Ring	1
15	7796000025*	Rod Seal	1
16	7754000012*	Wear Ring	1
17	7754000028	Retaining Ring	1

\* Available only in Service Kit 7577250026

Rev. \_\_\_\_\_

4.17

Date \_\_\_\_\_

**WINCH INSTALLATION (OPTION)**

<b>Ref No.</b>	<b>Part No.</b>	<b>Description</b>	<b>Qty.</b>
1	7115181016	Capscrew	6
2	7660182600 <sup>1</sup>	Locknut	1
3	7950180161 <sup>1</sup>	Flat Washer	2
4	7843000004 <sup>1</sup>	Spring	1
5	7970000063	Winch	1
6	3017000042	Angle	1
7	7115205250	Capscrew	2
8	3706000129 <sup>2</sup>	Sheave Support	1
9	7754000008 <sup>2</sup>	Retaining Ring	1
10	7809000001 <sup>2</sup>	Wire Rope Sheave	1
11	3706000128 <sup>2</sup>	Cable Guide	1
12	3691000168 <sup>2</sup>	Sheave Pin Crossbar	1
13	7660200008	Nut	2
14	7754000022	Retaining Ring	4
15	4691000304	Pin	2
16	3706000109	Nose Boom	1
17	4691000305	Pin	1
18	7209000011	Bushing	6
19	4912000247	Tube	2
20	4912000246	Tube	1
21	7115181450	Capscrew	2
22	7660182601	Locknut	2
23	7118180650	Capscrew	4
24	7660182301	Locknut	6
25	4017000855	Angle	1
26	3500900010 <sup>1</sup>	Cable Tensioner	1
27	3533000027	Cable	1

<sup>1</sup> Available as Assembly 3500900011

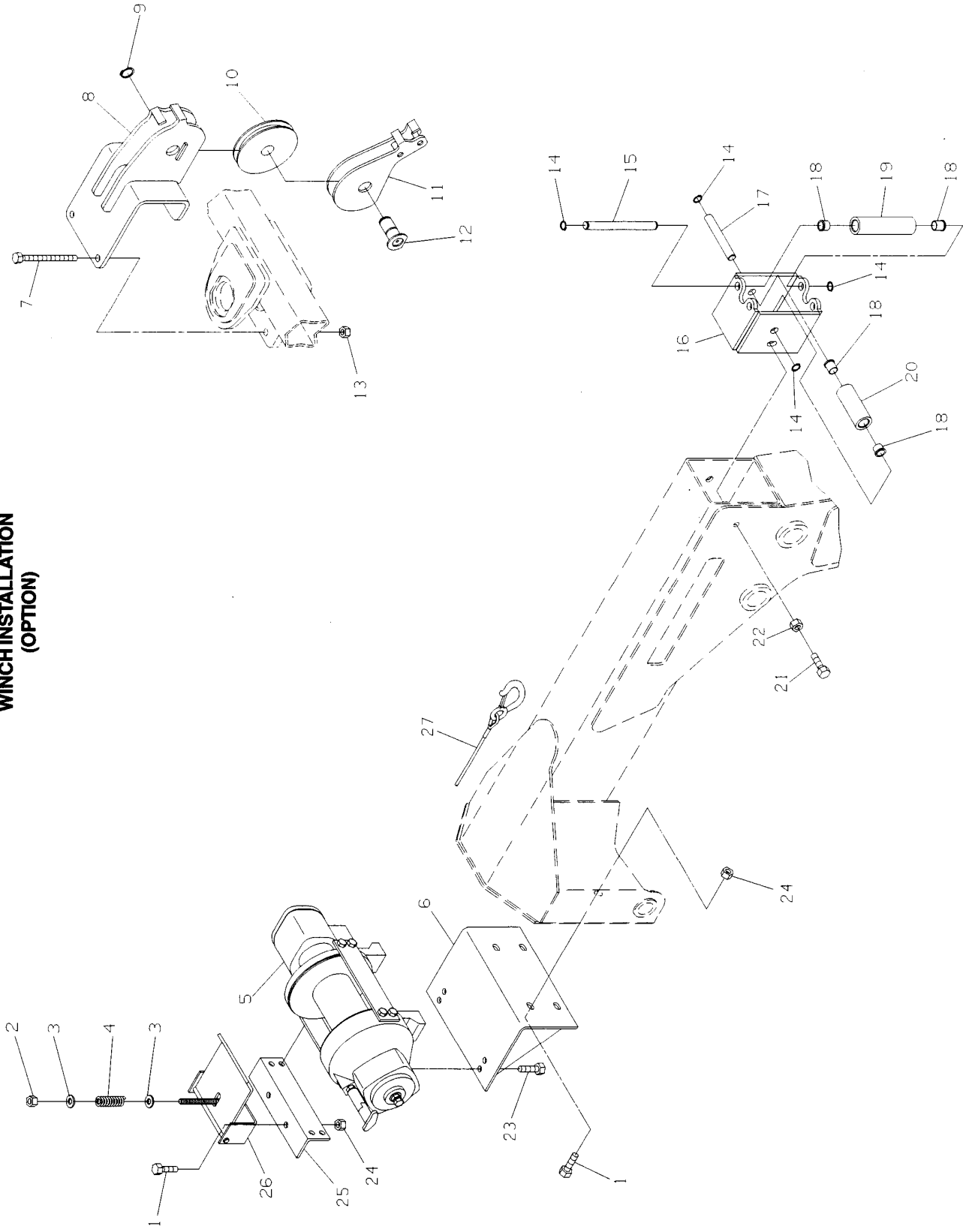
<sup>2</sup> Available as Assembly 3809000002

Rev. \_\_\_\_\_

4.18

Date \_\_\_\_\_

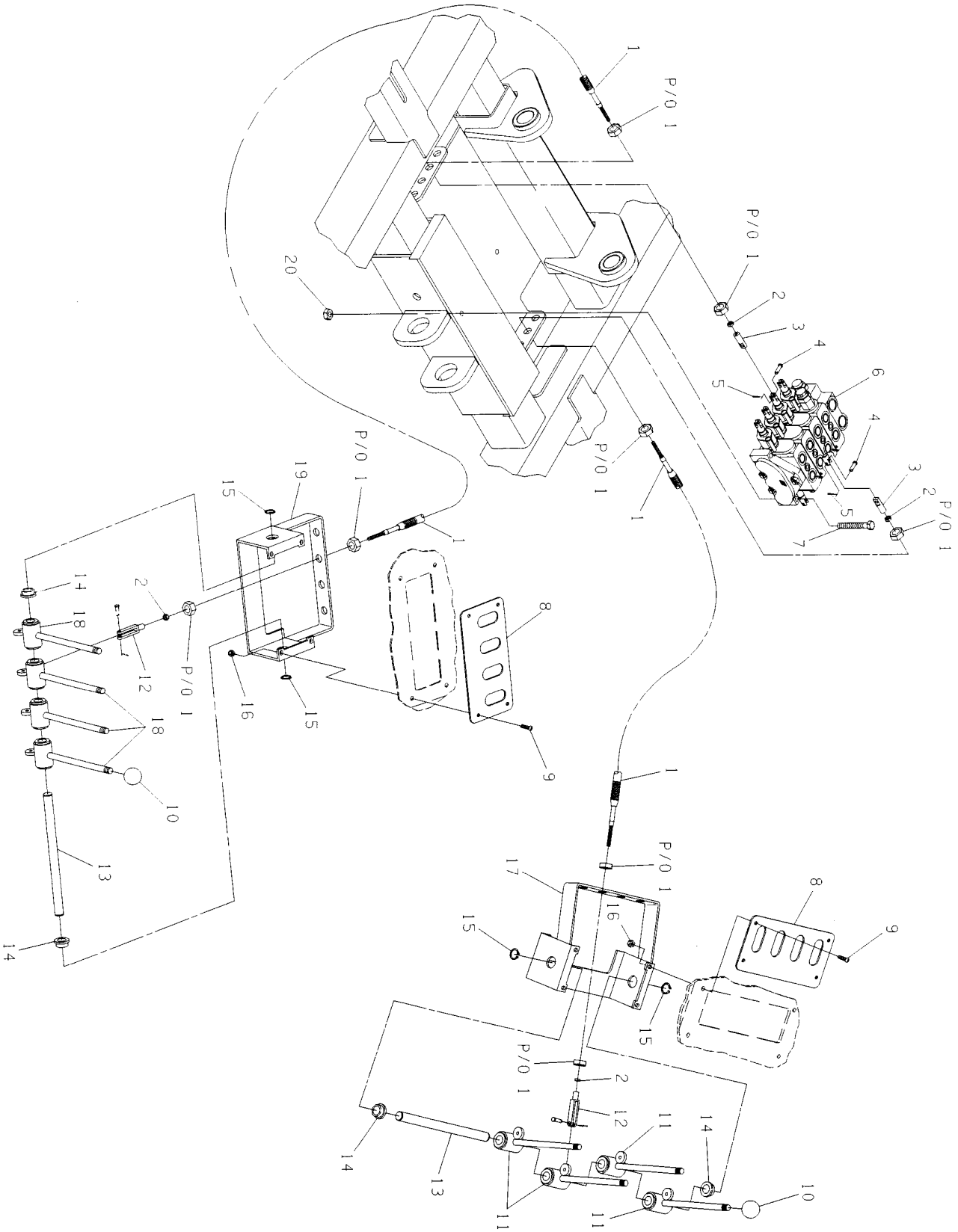
**WINCH INSTALLATION  
(OPTION)**



Rev. \_\_\_\_\_

Date \_\_\_\_\_

# CONTROLS INSTALLATION



---

**CONTROLS INSTALLATION**

<b>Ref No.</b>	<b>Part No.</b>	<b>Description</b>	<b>Qty.</b>
1	7248000049	Push-Pull Cable	8
2	7660140230	Nut	16
3	4309000001	Coupling	8
4	7690141200	Clevis Pin	8
5	7690000810	Cotter Pin	8
6	3935000081	Valve Assembly	1
7	7115162250	Capscrew	3
8	4314000048	Coverplate	2
9	7114140818	Capscrew	8
10	7551000002	Knob	8
11	3551000038	Handle	4
12	7990000003	End Yoke	8
13	4691000301	Pin	2
14	7082000005	Bearing	4
15	7754000022	Retaining Ring	4
16	7660142600	Locknut	8
17	3178000257	Controls Bracket, RH	1
18	3551000048	Handle	4
19	3178000256	Controls Bracket, LH	1
20	7660162601	Locknut	3

Rev. \_\_\_\_\_

4.21

Date \_\_\_\_\_

**BODY ASSEMBLY AND INSTALLATION**

Ref No.	Part No.	Description	Qty.
1	7097000001	Body, LH	1
2	7115181250	Capscrew	8
3	7950180161	Flat Washer	16
4	7950140153	Flat Washer	6
5	7114140818	Capscrew	20
6	7949000022	Washer	26
7	7115140850	Capscrew	22
8	7660182601	Locknut	8
9	7660140001	Nut	20
10	4686000119	Panel, LH	1
11	7660162601	Locknut	4
12	7686000040	Body Trim Angle Panel, RH	1
13	7114161618	Capscrew	4
14	7950160153	Washer	4
15	7636000014	Rubber Mount	4
16	3899000059	Toolbox	1
17	4178000301	Bracket	2
18	4017000948	Angle	1
19	7660142601	Locknut	22
20	4706002551*	Plate	1
21	7950100151*	Flat Washer	4
22	7660102601*	Nut	8
23	7114100618*	Capscrew	4
24	3899000057	Toolbox Door and Frame Assembly	1
25	7796000031*	Gasket	1
26	7595000002*	Paddle Handle Lock	1
27	7114100418*	Capscrew	4
28	7097000002	Body, RH	1
29	7686000039	Body Trim Angle Panel, LH	1
30	4686000120	Panel, RH	1
31	7660152601	Locknut	12
32	7950150161	Flat Washer	16
33	7115150850	Capscrew	4
34	7590000089	Work Lamp with Connectors	2
35	4178000207	Mounting Bracket	2
36	7950160161	Flat Washer	2
37	7111151010	Screw	8
38	4706001124	Backup Plate	2
39	7638000003	Mud Flap	2

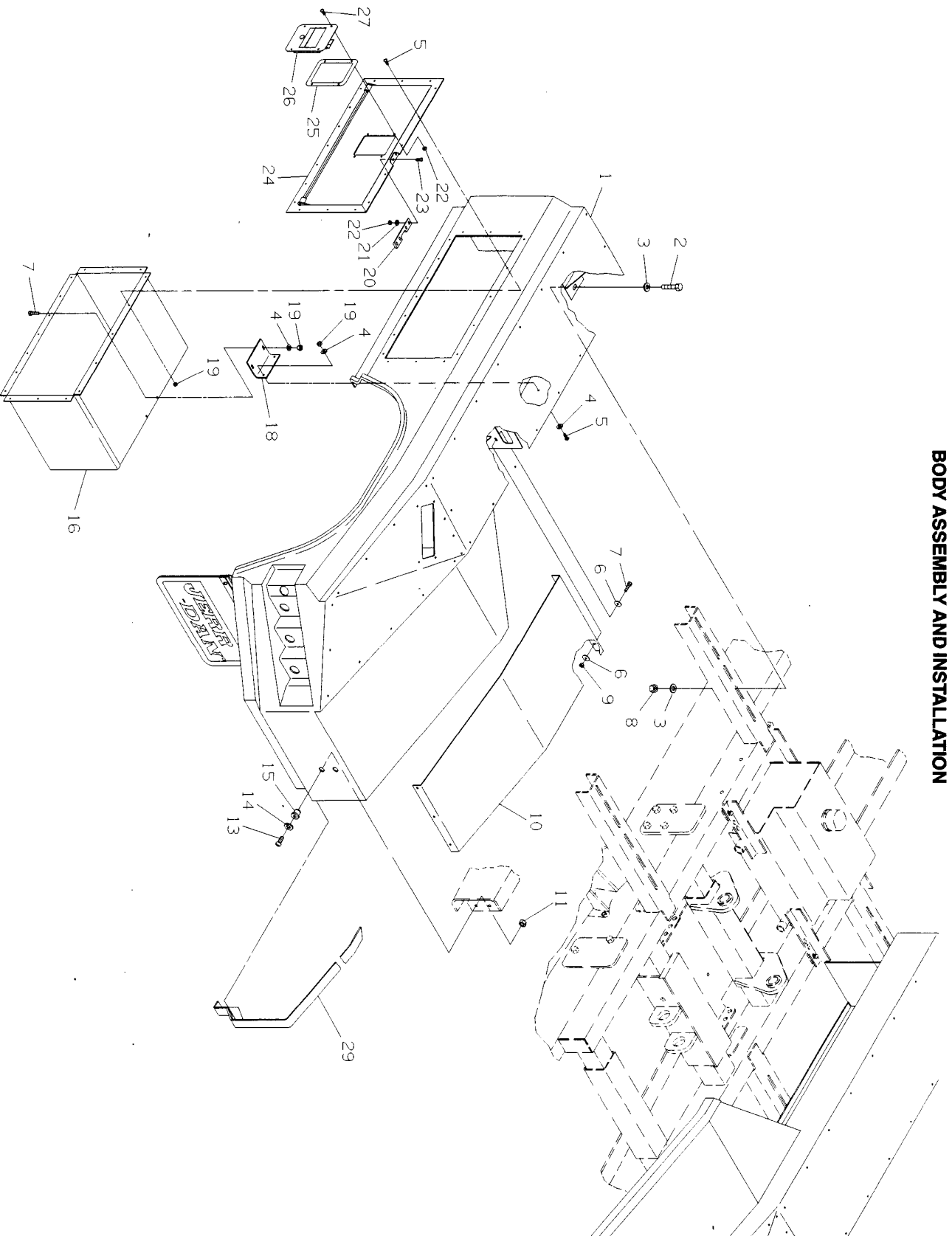
\* Part of Door and Frame Assembly 3899000057

Rev. \_\_\_\_\_

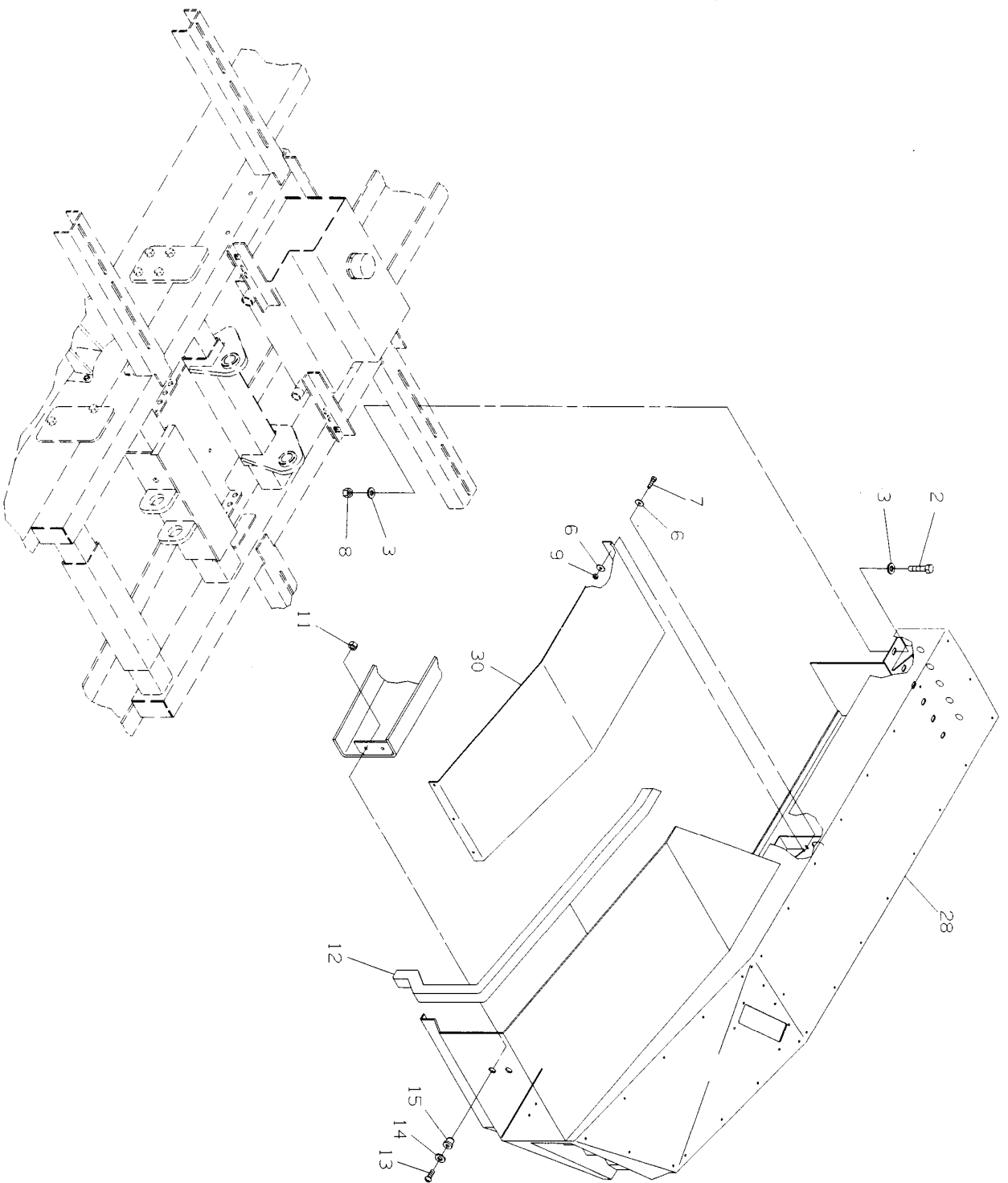
4.22

Date \_\_\_\_\_

**BODY ASSEMBLY AND INSTALLATION**



# BODY ASSEMBLY AND INSTALLATION



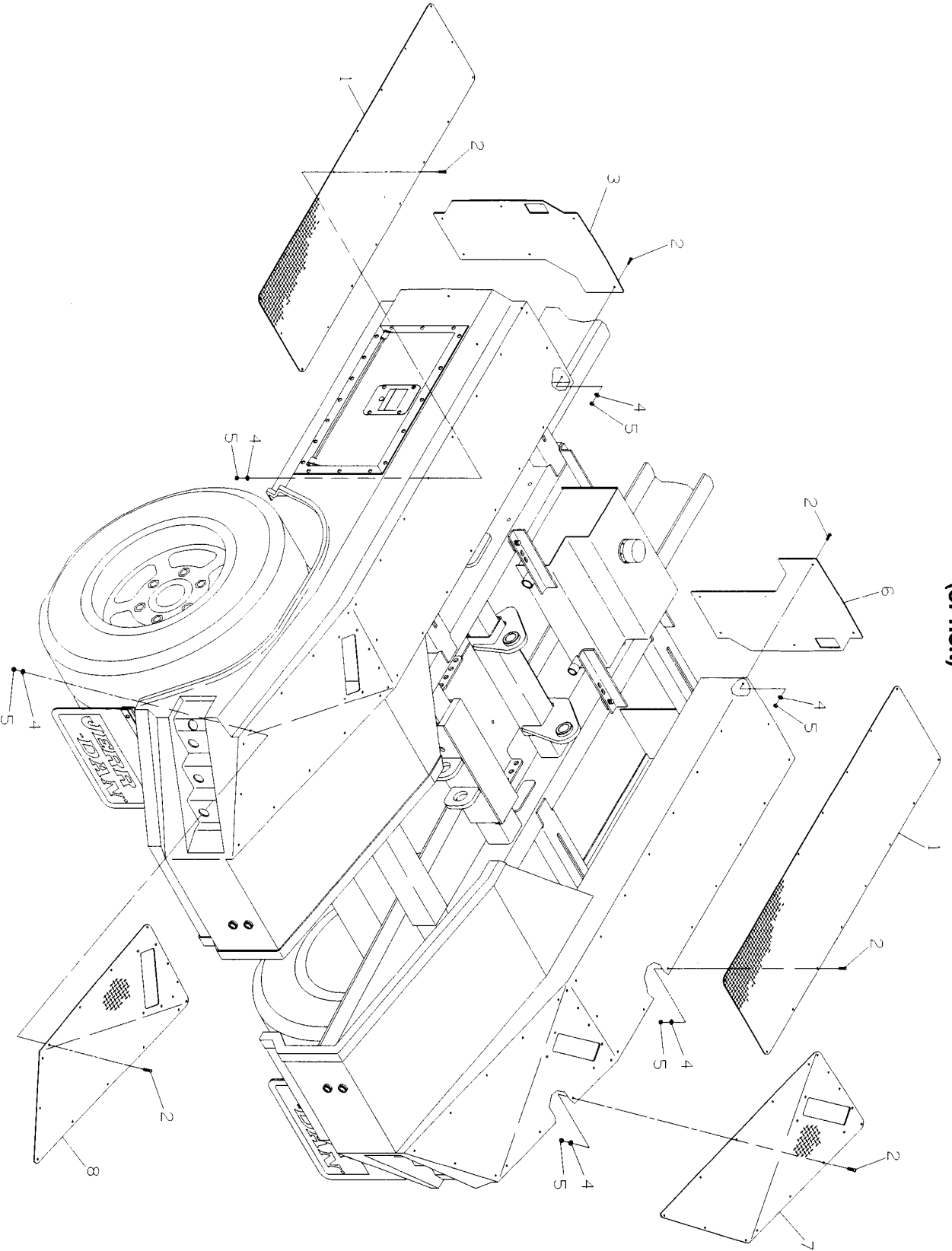
4.24

Rev. \_\_\_\_\_

Date \_\_\_\_\_



**ALUMINUM DRESS-UP KIT  
(OPTION)**



4.26

Rev. \_\_\_\_\_  
Date \_\_\_\_\_

---

**ALUMINUM DRESS-UP KIT (OPTION)**

<b>Ref No.</b>	<b>Part No.</b>	<b>Description</b>	<b>Qty.</b>
1	4707000114	Plate	2
2	7114140818	Capscrew	76
3	4707000123	Plate	1
4	7950140141	Flat Washer	76
5	7660142600	Locknut	76
6	4707000122	Plate	1
7	4707000116	Plate	1
8	4707000117	Plate	1

Rev. \_\_\_\_\_

4.27

Date \_\_\_\_\_

## TUNNEL TOOLBOX INSTALLATION

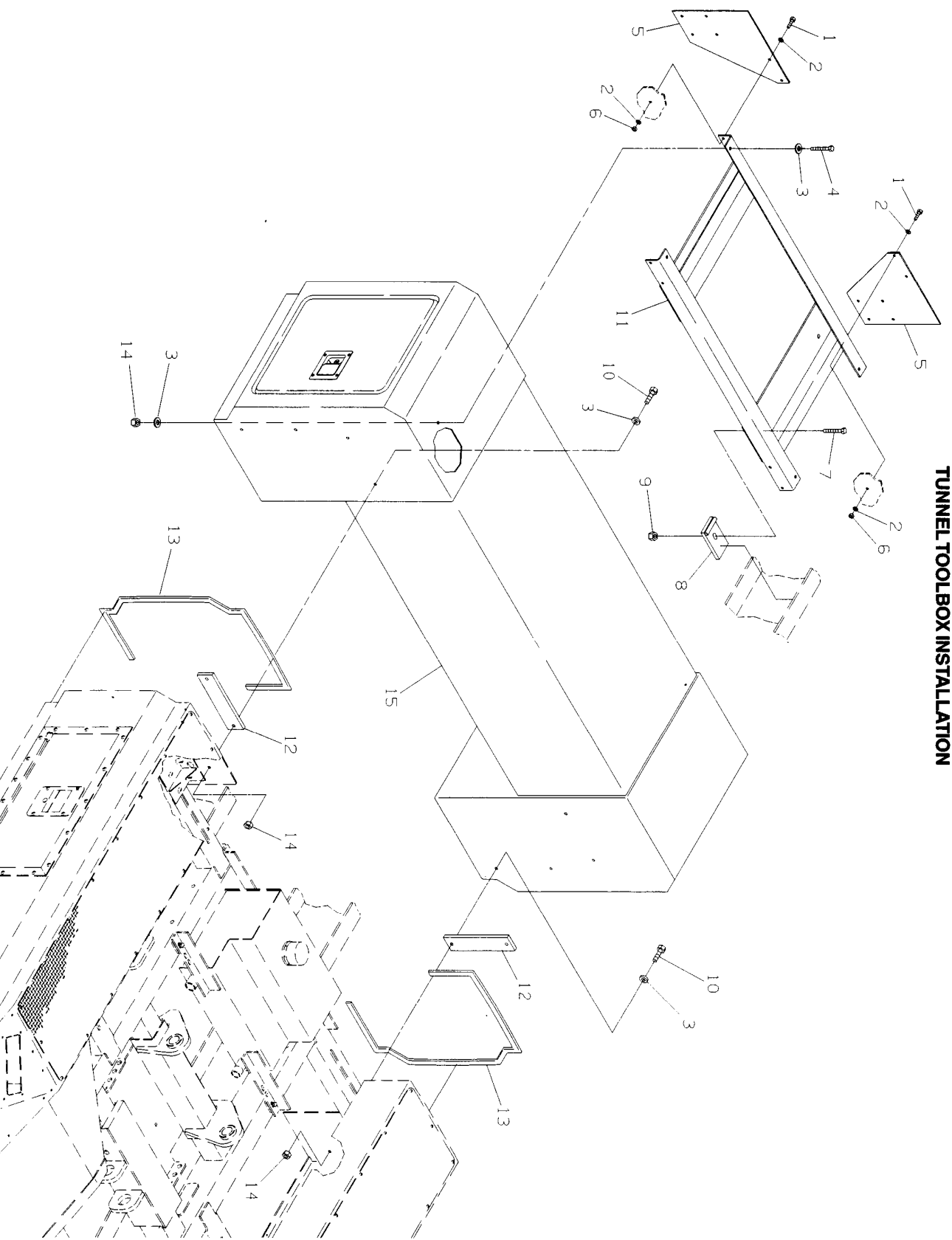
Ref No.	Part No.	Description	Qty.
1	7115150850	Capscrew	8
2	7950150161	Flat Washer	16
3	7950160161	Flat Washer	24
4	7115161650	Capscrew	4
5	4177000042	Brace	2
6	7660152601	Locknut	8
7	7115181450	Capscrew	4
8	3274000007	Clamp Weldment	4
9	7660182301	Locknut	4
10	7115161450	Capscrew	8
11	3455000025	Tunnel Frame	1
12	4831000072	Body Spacer	4
13	7632046054	Moulding	2
14	7660162601	Locknut	12
15	3899000062	Toolbox Assembly (Ford)	1
	3899000063	Toolbox Assembly (Chevy HD3500)	1

Rev. \_\_\_\_\_

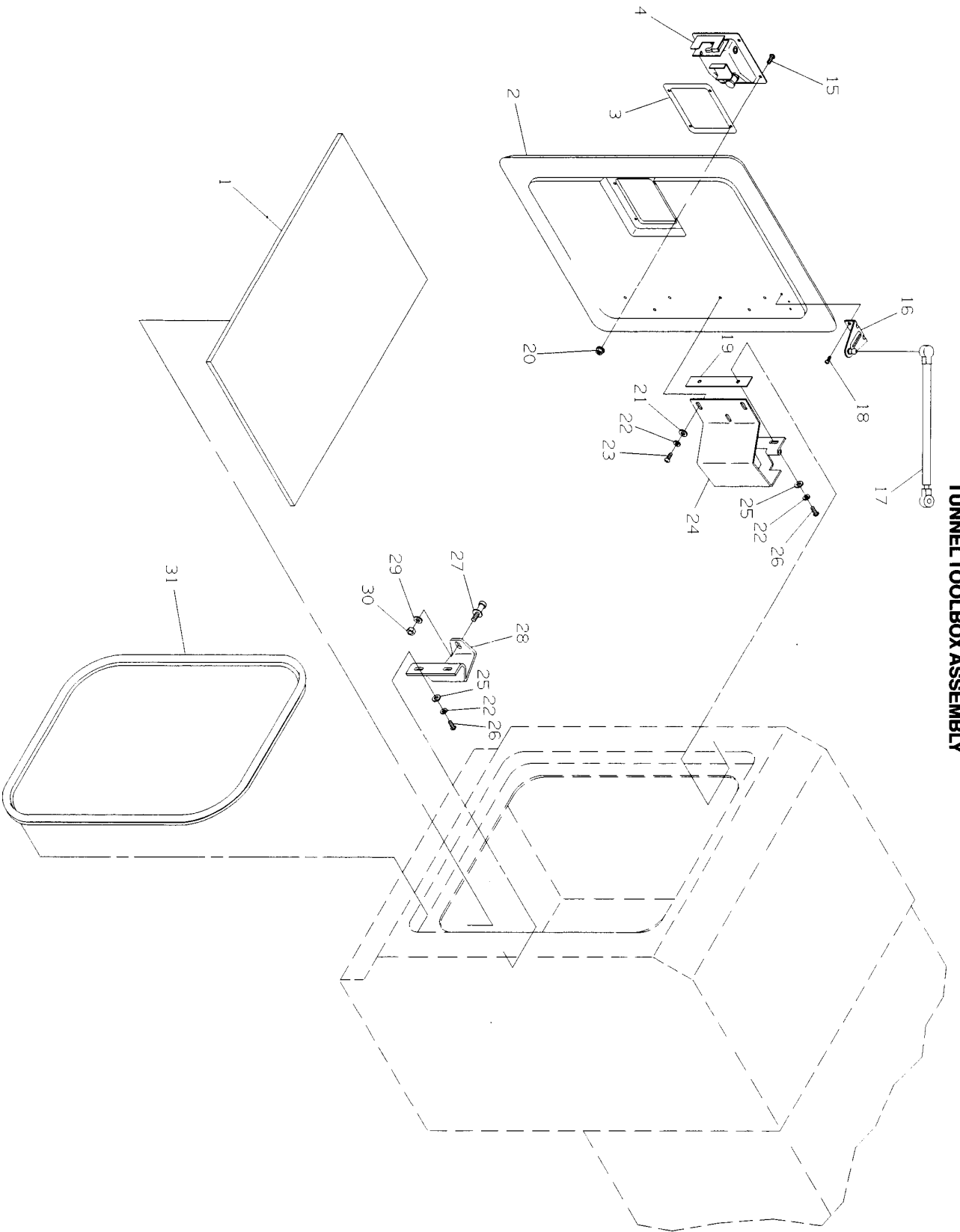
4.28

Date \_\_\_\_\_

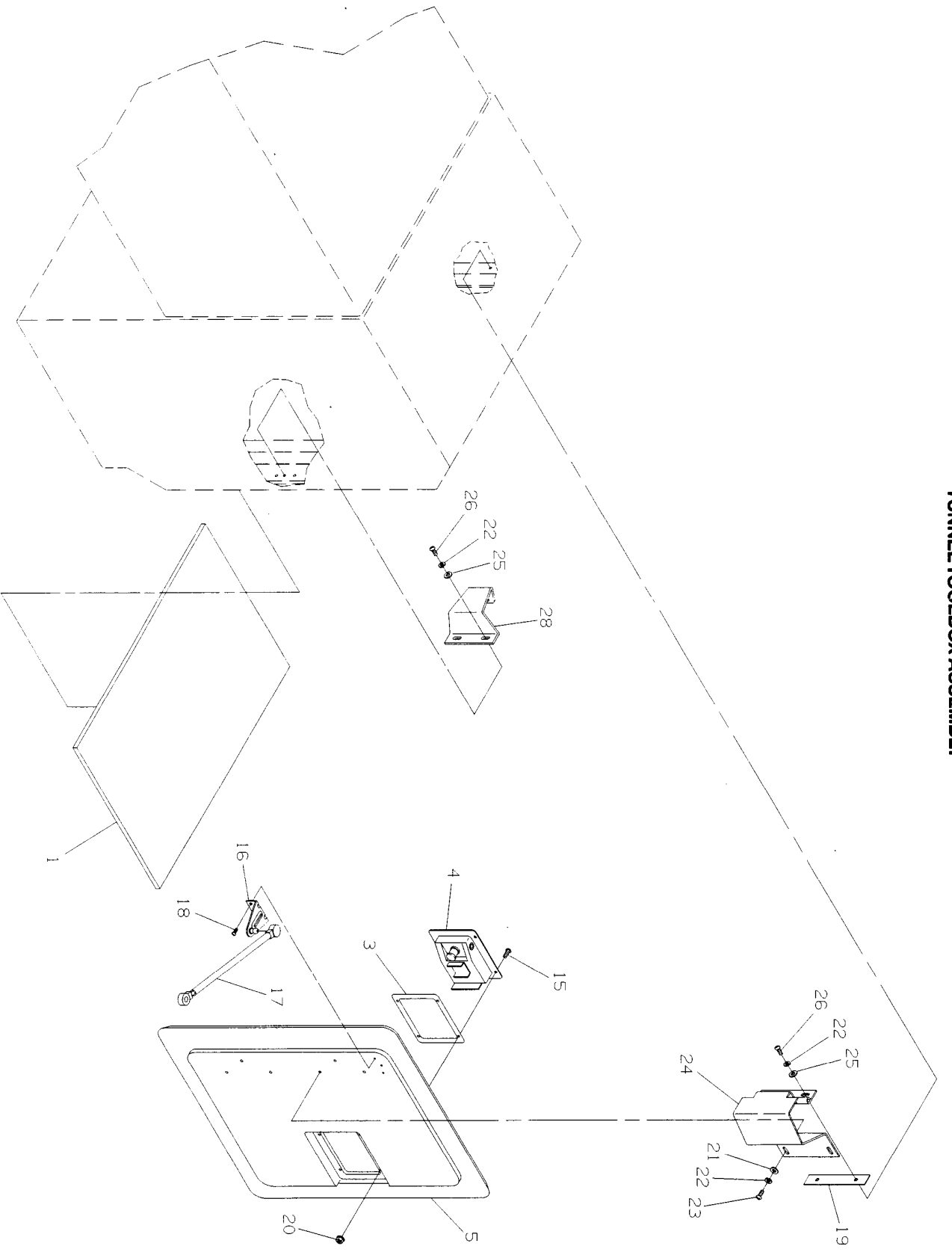
# TUNNEL TOOLBOX INSTALLATION



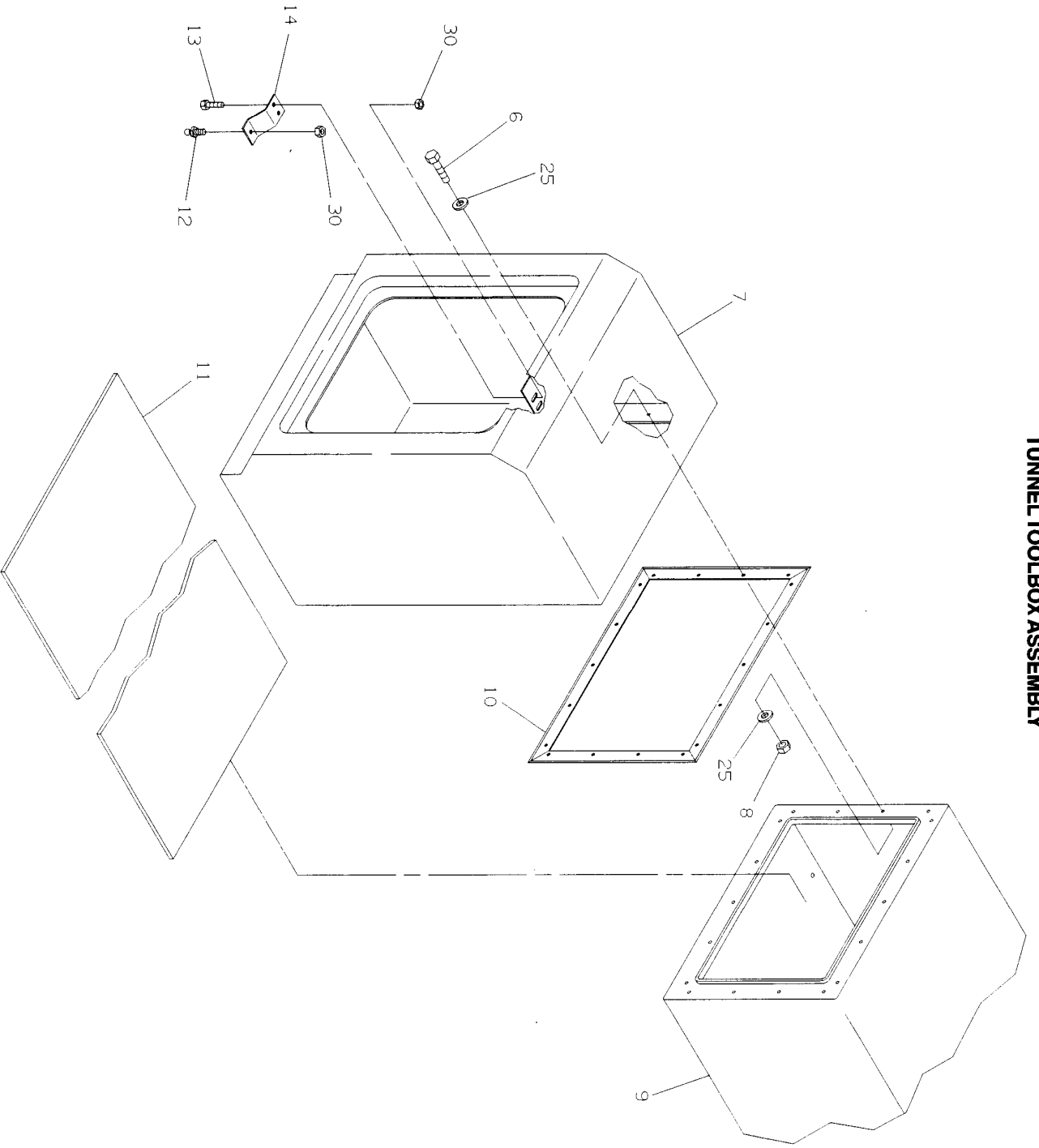
# TUNNEL TOOLBOX ASSEMBLY



# TUNNEL TOOLBOX ASSEMBLY



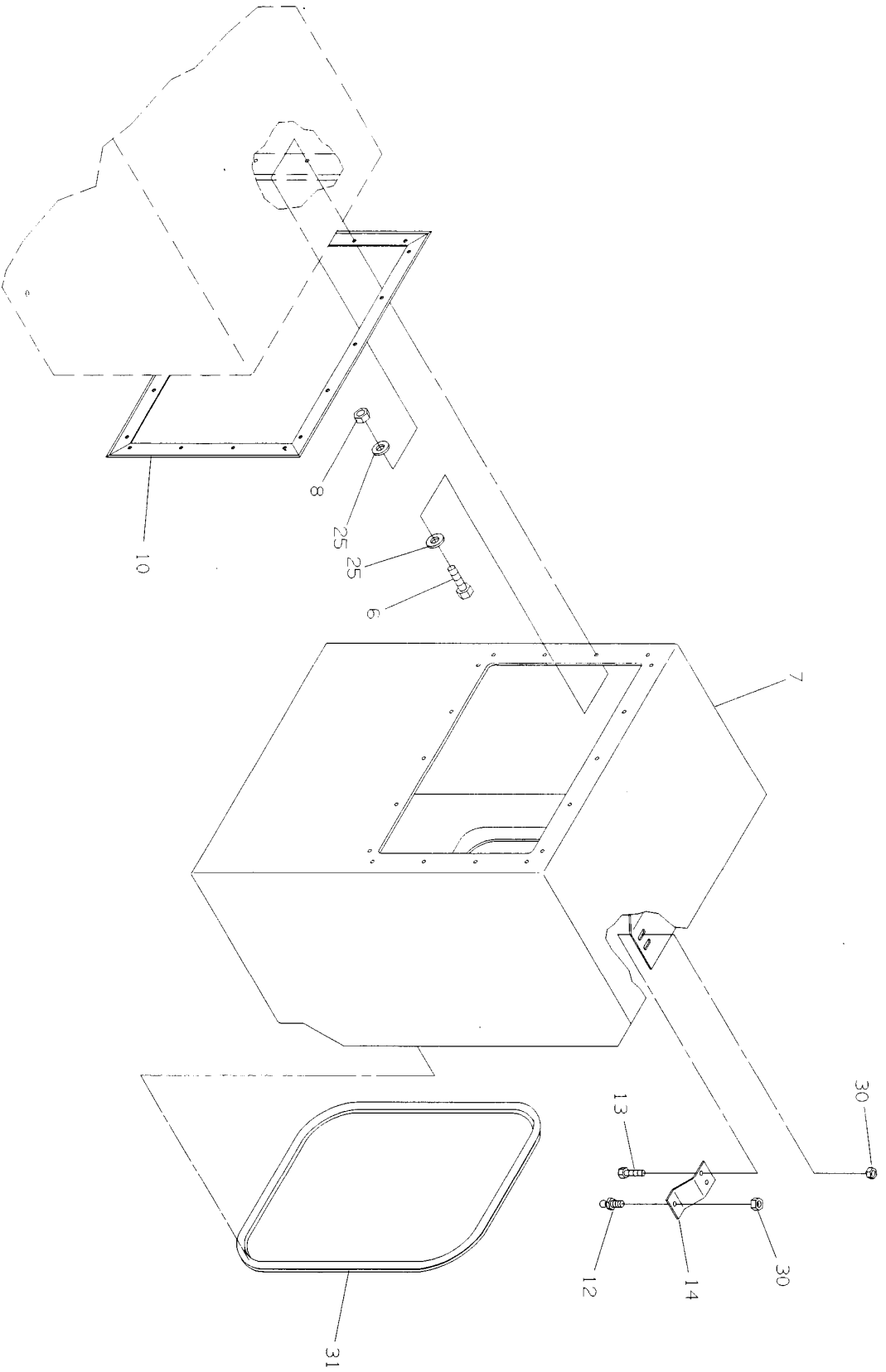
TUNNEL TOOLBOX ASSEMBLY



4.33

Rev. \_\_\_\_\_  
Date \_\_\_\_\_

TUNNEL TOOLBOX ASSEMBLY



4.34

Rev. \_\_\_\_\_  
Date \_\_\_\_\_

**TUNNEL TOOLBOX ASSEMBLY**

<b>Ref No.</b>	<b>Part No.</b>	<b>Description</b>	<b>Qty.</b>
1	4679000157	Rubber Pad	2
2	4686000123	Door Panel, LH	1
3	7796000031	Gasket	2
4	7595000009	Latch	2
5	4686000122	Door Panel, RH	1
6	7115141050	Capscrew	36
7	7899000002	Tunnel Front Toolbox	2
8	7660142601	Locknut	36
9	7899000005	Tunnel Toolbox, Ford	1
	7899000006	Tunnel Toolbox, Chevy HD3500	1
10	4632000017	Toolbox Seal	2
11	4679000160	Rubber Pad	1
12	7865000001	Thread Ball Stud	2
13	7115150650	Capscrew	4
14	4178000322	Bracket	2
15	7114080618	Screw	8
16	7178000023	Ball Stud Bracket	2
17	7843000020	Gas Spring	2
18	7114100418	Capscrew	6
19	4812000060	Shim	4
20	7660082500	Locknut	8
21	7950100151	Flat Washer	12
22	7949000025	Lockwasher	16
23	7114140518	Capscrew	12
24	7555000005	Hinge	4
25	7950140161	Flat Washer	76
26	7114140418	Capscrew	4
27	7585000008	Striker Latch	2
28	4178000320	Bracket	2
29	7950150161	Flat Washer	2
30	7660152601	Locknut	8
31	4632000018	Door Seal	2

Rev. \_\_\_\_\_

4.35

Date \_\_\_\_\_

**BODY EXTENSION PANEL INSTALLATION**

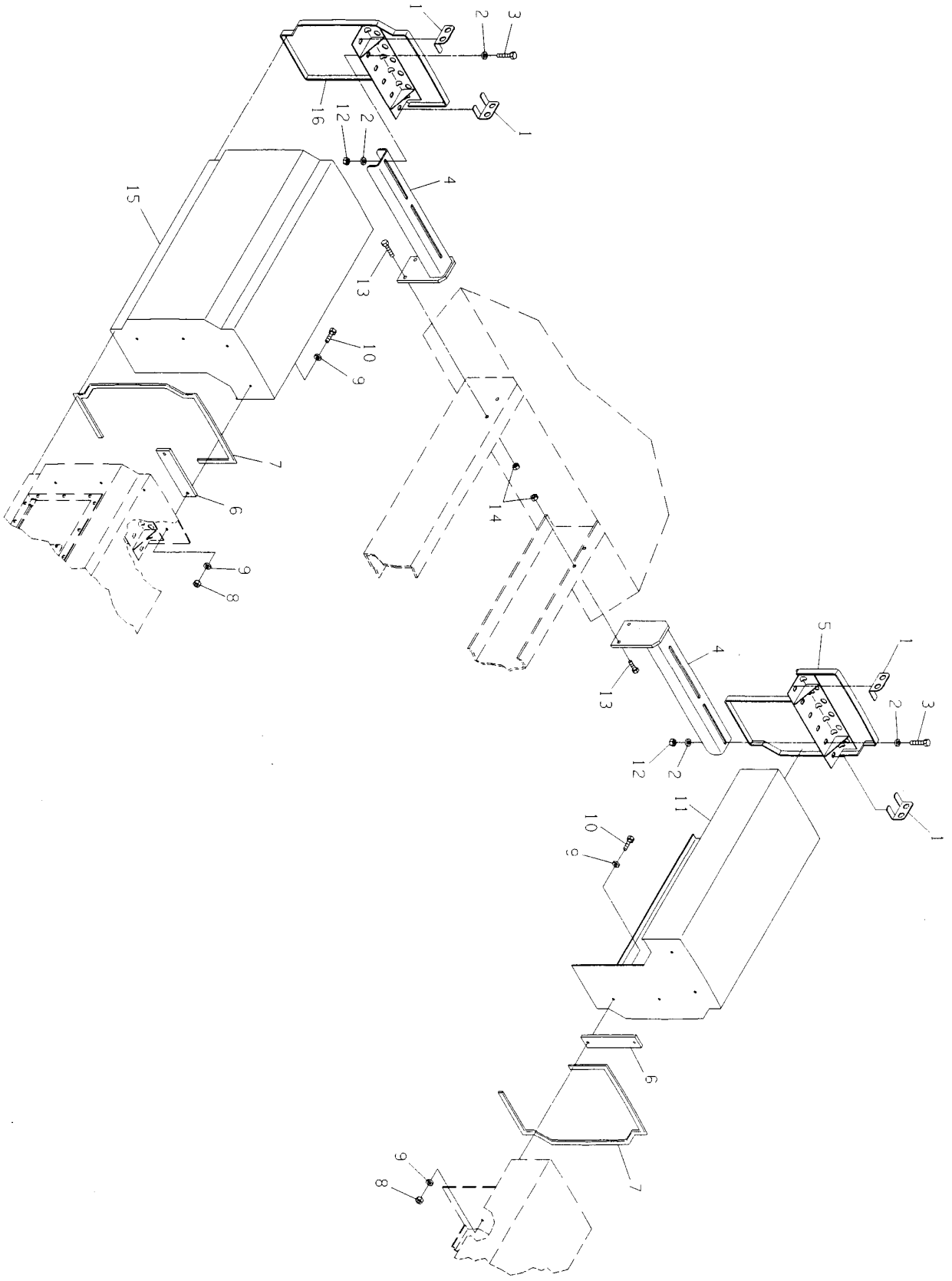
<b>Ref No.</b>	<b>Part No.</b>	<b>Description</b>	<b>Qty.</b>
1	4017000956	Angle	4
2	7950180161	Flat Washer	8
3	7115181250	Capscrew	4
4	3178000255	Front Section Mount Body	2
5	7686000033	End Cap Panel, RH	1
6	4831000072	Spacer	4
7	7632046054	Moulding	2
8	7660162601	Locknut	8
9	7950160161	Flat Washer	16
10	7115161450	Capscrew	8
11	7686000035	Body Front Section Panel, RH	1
12	7660182601	Locknut	4
13	7118181216	Capscrew	4
14	7660182301	Locknut	4
15	7686000034	Body Front Section Panel, LH	1
16	7686000032	End Cap Panel, LH	1

Rev. \_\_\_\_\_

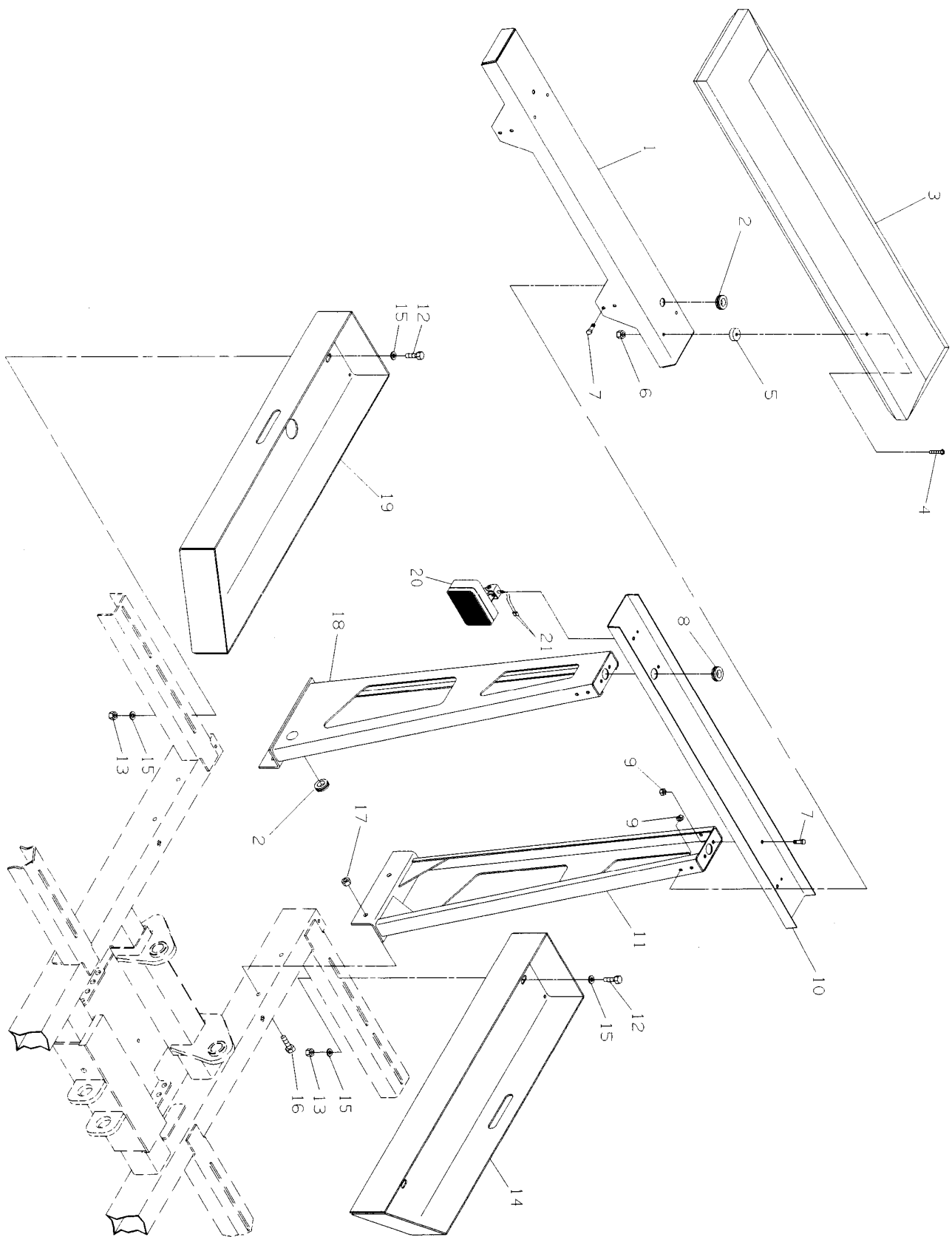
4.36

Date \_\_\_\_\_

# BODY EXTENSION PANEL INSTALLATION



# EMERGENCY LIGHT PYLON AND STORAGE TRAY INSTALLATION



---

### EMERGENCY LIGHT PYLON AND STORAGE TRAY INSTALLATION

Ref No.	Part No.	Description	Qty.
1	3263000071	Upper Channel	1
2	7493000011	Grommet	2
3	7590000073	Emergency Lightbar	1
4	7115151264	Carriage Bolt	4
5	4831000074	Spacer	4
6	7660152601	Locknut	4
7	7114160818	Capscrew	12
8	7493000003	Grommet	1
9	7660162601	Locknut	12
10	4263000393	Channel	1
11	3263000073	Channel, RH	1
12	7115181250	Capscrew	4
13	7660182601	Locknut	4
14	3263000070	Channel, RH (Ford)	1
	3263000084	Channel, RH (Chevy HD3500)	1
15	7950180161	Flat Washer	8
16	7115183250	Capscrew	4
17	7660181250	Locknut	4
18	3263000072	Channel, LH	1
19	3263000069	Channel, LH (Ford)	1
	3263000083	Channel, LH (Chevy HD3500)	1
20	7590000144	Work Light	2
21	7345001713	Butt Connector	4

Rev. \_\_\_\_\_

4.39

Date \_\_\_\_\_

## HYDRAULIC SCHEMATIC

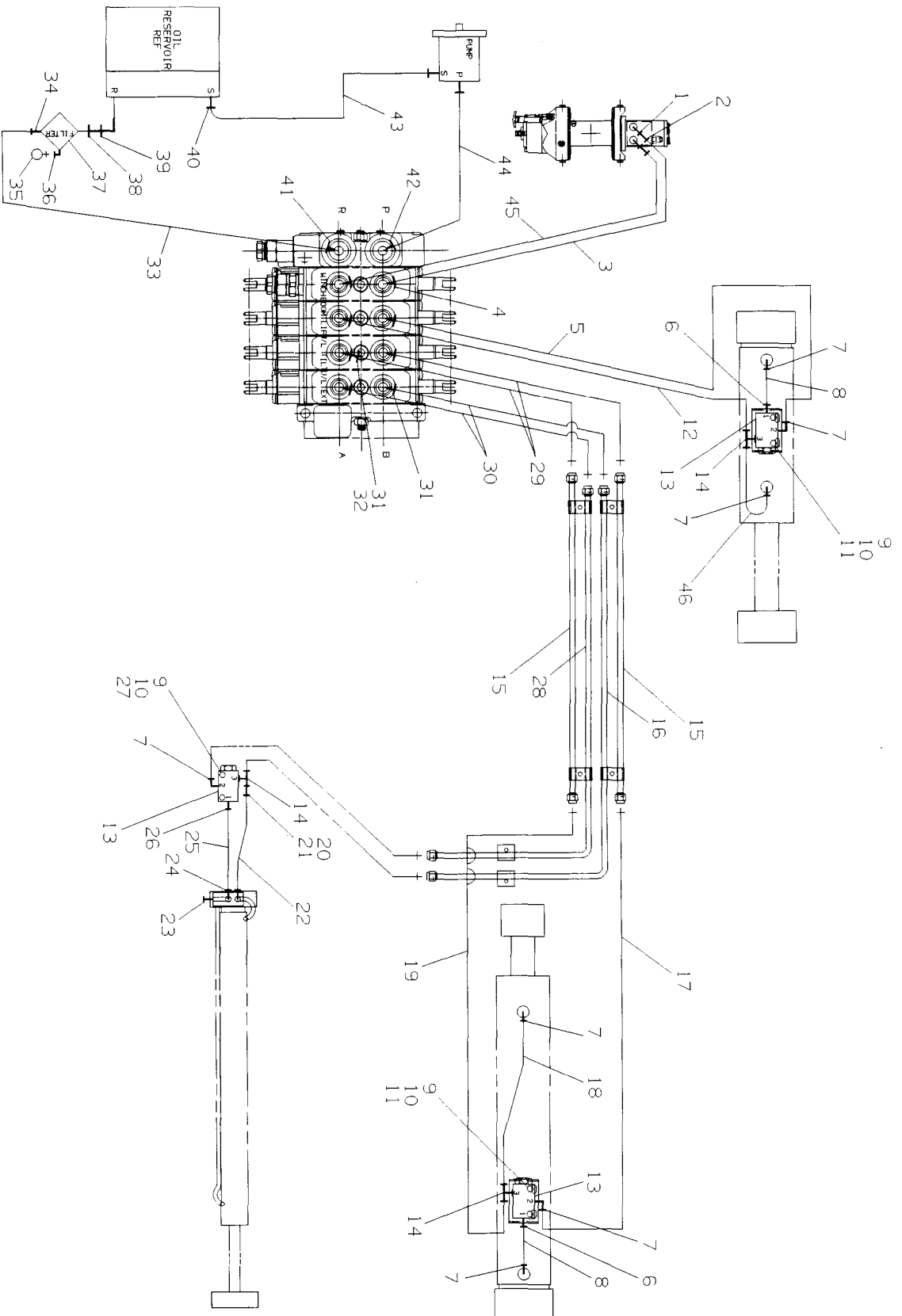
Ref No.	Part No.	Description	Qty.
1	7445081043	Adapter	2
2	7443000023	Elbow	2
3	4567132027	Hose Assembly	1
4	7445080843	Adapter	2
5	4567120026	Hose Assembly	1
6	7445060643	Straight Adapter	2
7	7445060645	Elbow	7
8	7912000078	Tube Assembly	2
9	7950150161	Flat Washer	6
10	7660152601	Locknut	6
11	7115151650	Capscrew	4
12	4567120024	Hose Assembly	1
13	7935000148	Valve	3
14	7445060647	Branch	3
15	7912000077	Tube Assembly	2
16	7912000081	Tube Assembly	1
17	4569120014	Hose Assembly	1
18	7912000079	Tube Assembly	1
19	4569120015	Hose Assembly	1
20	7443000105	Reducer	1
21	7443000106	Nut Reducer	1
22	4567110025	Hose Assembly	1
23	7443000114	Plug	1
24	7445040443	Straight Adapter	2
25	4567110024	Hose Assembly	1
26	7445040643	Straight Adapter	1
27	7114151618	Capscrew	2
28	7912000082	Tube Assembly	1
29	4569122020	Hose Assembly	2
30	4569122021	Hose Assembly	2
31	7445060843	Straight Adapter	6
32	7443000128	Adapter	1
33	4567162036	Hose Assembly	1
34	7445121619	Straight Adapter	1
35	7470000002	Oil Filter Gauge	1
36	7443000158	Elbow	1
37	7430000003	Oil Filter Assembly	1
38	7650080125	Pipe Nipple	1
39	7444080860	Elbow	1
40	7445161619	Straight Adapter Pipe	1
41	7445121243	Straight Adapter	1
42	7445081243	Straight Adapter	1
43	4567782096	Hose Assembly	1
44	4567632103	Hose Assembly	1
45	4567133029	Hose Assembly	1
46	7912000080	Tube Assembly	1

Rev. \_\_\_\_\_

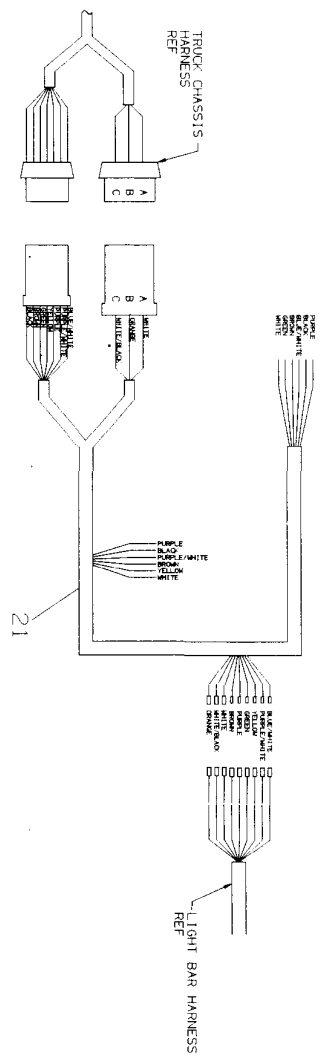
4.40

Date \_\_\_\_\_

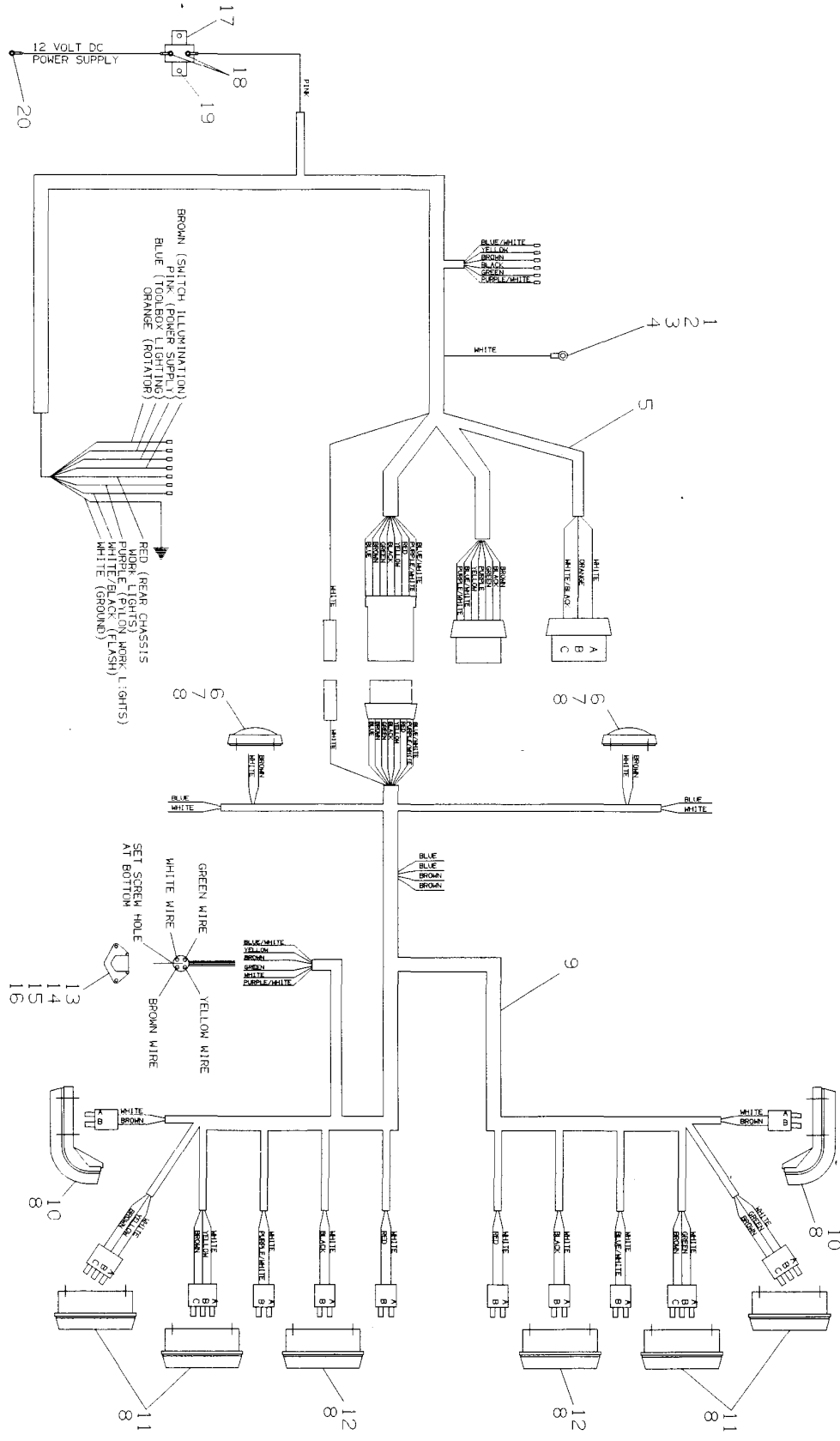
# HYDRAULIC SCHEMATIC



# LIGHTS AND WIRING INSTALLATION



WIRE COLOR	FUNCTION
BROWN	TAIL/CLEARANCE
BLACK	BACK-UP
BLUE	TOOL BOX LIGHTING
GREEN	STOP/RIGHT TURN
YELLOW	STOP/LEFT TURN
PURPLE	PYLON WORK LIGHTS
PURPLE/WHITE	LEFT TURN (FOREIGN CHASSIS)
BLUE/WHITE	RIGHT TURN (FOREIGN CHASSIS)
RED	REAR WORK LIGHTS
WHITE	GROUND
ORANGE	ROTATOR
WHITE/BLACK	FLASHERS
PINK	HOT (12V SUPPLY)



4.42

Rev. \_\_\_\_\_  
Date \_\_\_\_\_

---

## LIGHTS AND WIRING INSTALLATION

Ref. No.	Part No.	Description	Qty.
1	7345221902	O-Ring Terminal	1
2	7950140500	Lockwasher	1
3	7660142601	Locknut	7
4	7115140850	Capscrew	7
5	7552000157	Truck Chassis Harness	1
6	7577000202	Light Mount Adapter Kit	2
7	7590000090	Clearance Marker Light	2
8	7790101271	Screw	36
9	7552000156	Main Harness	1
10	7590000131	Wrap Around Marker Light	2
11	7590000128	Stop-Tail-Turn Light	4
12	7590000130	Backup Light	2
13	7291000003	Female Receptacle	1
14	7114140818	Capscrew	2
15	7950140141	Flat Washer	2
16	7660142601	Locknut	2
17	7457000004	Circuit Breaker	1
18	7345211901	Stud Terminal Ring	2
19	7790100856	Screw	2
20	7345231901	Stud Terminal Ring	1
21	7552000158	Headboard Harness	1

Rev. \_\_\_\_\_

4.43

Date \_\_\_\_\_

---

**DECAL INSTALLATION**

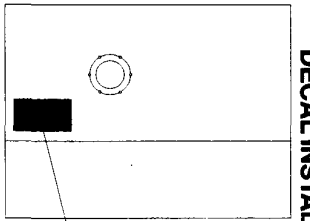
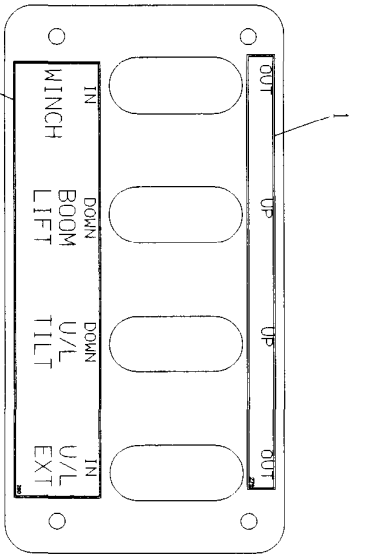
<b>Ref No.</b>	<b>Part No.</b>	<b>Description</b>	<b>Qty.</b>
1	7330000279	Top Controls Decal	2
2	7330000034	W/L Caution Nameplate	1
3	7330000122	W/L Warning Nameplate	1
4	7330000287	Serial/Model/Rating Decal	1
5	7759000004	Rivet	4
6	7330000037	Moving Parts Nameplate	1
7	7330000060	Warning Decal	1
8	7330000036	Secure Vehicle Nameplate	2
9	7330000286	Jerr-Dan Logo Decal	2
10	7330000285	Circle "J" Decal	2
11	7330000143	"Proudly Made in the USA" Decal	1
12	7330000315	Lubrication Chart Decal	1
13	7330000262	Winch Warning Decal	2
14	7330000280	Bottom Controls Decal	2

Rev. \_\_\_\_\_

4.44

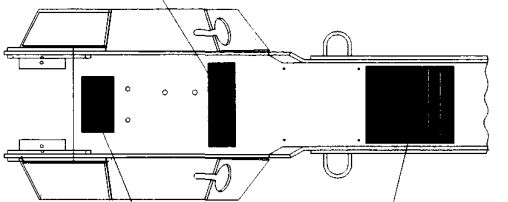
Date \_\_\_\_\_

**DECAL INSTALLATION**

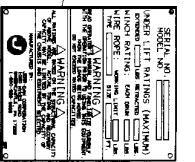


**CAUTION**  
DO NOT REMOVE THIS LABEL FROM THE BOOM LIFT. IT IS A SAFETY LABEL AND MUST REMAIN ON THE BOOM LIFT.

**WARNING**  
DO NOT REMOVE THIS LABEL FROM THE BOOM LIFT. IT IS A SAFETY LABEL AND MUST REMAIN ON THE BOOM LIFT.

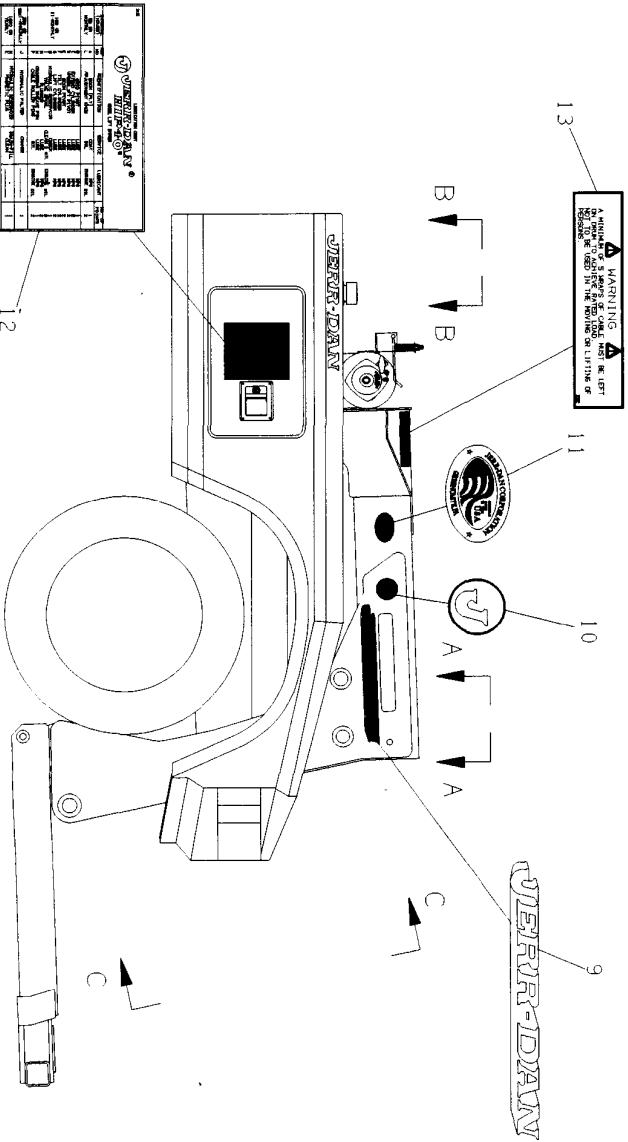


**WARNING**  
DO NOT REMOVE THIS LABEL FROM THE BOOM LIFT. IT IS A SAFETY LABEL AND MUST REMAIN ON THE BOOM LIFT.



VIEW A-A  
CONTROL HANDLES DECAL

VIEW C-C-C



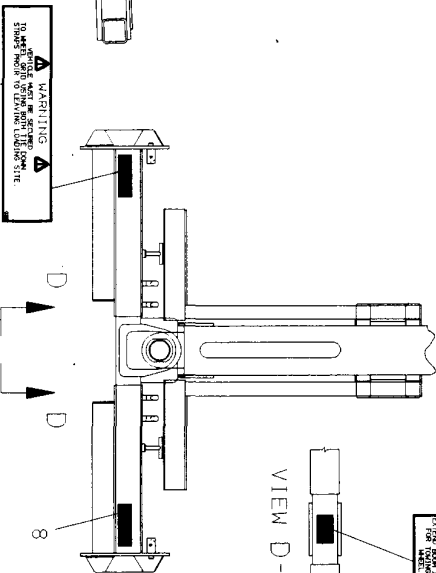
**WARNING**  
DO NOT REMOVE THIS LABEL FROM THE BOOM LIFT. IT IS A SAFETY LABEL AND MUST REMAIN ON THE BOOM LIFT.

**WARNING**  
DO NOT REMOVE THIS LABEL FROM THE BOOM LIFT. IT IS A SAFETY LABEL AND MUST REMAIN ON THE BOOM LIFT.

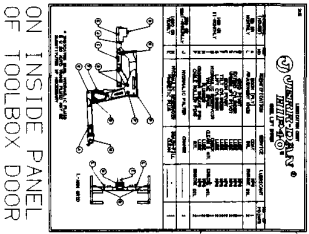
**CAUTION**  
DO NOT REMOVE THIS LABEL FROM THE BOOM LIFT. IT IS A SAFETY LABEL AND MUST REMAIN ON THE BOOM LIFT.

**WARNING**  
DO NOT REMOVE THIS LABEL FROM THE BOOM LIFT. IT IS A SAFETY LABEL AND MUST REMAIN ON THE BOOM LIFT.

VIEW D-D



**WARNING**  
DO NOT REMOVE THIS LABEL FROM THE BOOM LIFT. IT IS A SAFETY LABEL AND MUST REMAIN ON THE BOOM LIFT.



ON INSIDE PANEL OF TOOLBOX DOOR

RPH8000 8000 LB WINCH

Ref. No.	Part No.	Description	Qty.	Ref. No.	Part No.	Description	Qty.
1	9970280019	"Y" Drum Assembly	1	42	9701960014	Plug	1
2	9970280018	"STD" Drum Assembly	1	43	9701960016	Plug	1
3	9551960018	Shifter Assembly	1	44	9796960097	Seal	1
4	9843960027	Brake Flat Spring	1	45	9796960049	Gear Housing Seal	1
5	9250960002	Cam Brake Plate	1	46	9812960005	Shim	1
6	9472960042	Sun Output Gear	1	47	9754960039	Snap Ring	2
7	9472960043	Ring Gear	1	48	9970494010	Spring	1
8	9082960016	End Motor Bearing	1	49	9935960023	Counterbalance Valve ("A" Rotation)	1
9	9560960013	End Bearing Gear Housing	1	50	9949960017	Thrust Washer	1
10	9560960012	Brake Housing	1				
11	9180960009	Brake Hub	1				
12	9706960028	Retainer Plate	1				
13	9806960017	"Y" Input Shaft	1				
14	9806960016	"STD" Input Shaft	1				
15	9706960031	"Y" Tie Plate	2				
16	9706960030	"STD" Tie Plate	2				
17	9970400007	Ball	2				
18	9209960022	Motor End Drum Bushing	1				
19	9209960023	Gear Drum Bushing	1				
20	9120960021	Bolt	2				
21	9120960025	Capcrew	8				
22	9120960023	Capcrew	1				
23	9120960026	Screw	4				
24	9786960006	Setcrew	4				
25	9120960024	Capcrew	1				
26	7785140404	Capcrew	4				
27	7660160001	Setcrew	2				
28	7660160201	Nut	1				
29	7660180201	Nut	1				
30	9970418184	Washer	4				
31	9949960016	Lockwasher	2				
32	9309960009	Hydraulic Motor Coupling	1				
33	9706960029	Brake Plate	2				
34	9796960047	Brake Housing Gasket	1				
35	9970456008	Relief Fitting	1				
36	9626960012	Hydraulic Motor (model with counterbalance valve)	1				
37	9796960050	O-Ring	1				
38	9796960048	Ring Quad	2				
39	9796960051	O-Ring	1				
40	9970468002	Reducer	1				
41	9701960015	Pipe Plug	2				
	9691960001	Spiral Pin	1				

RPH8000 8000 LB WINCH INSTALLATION

